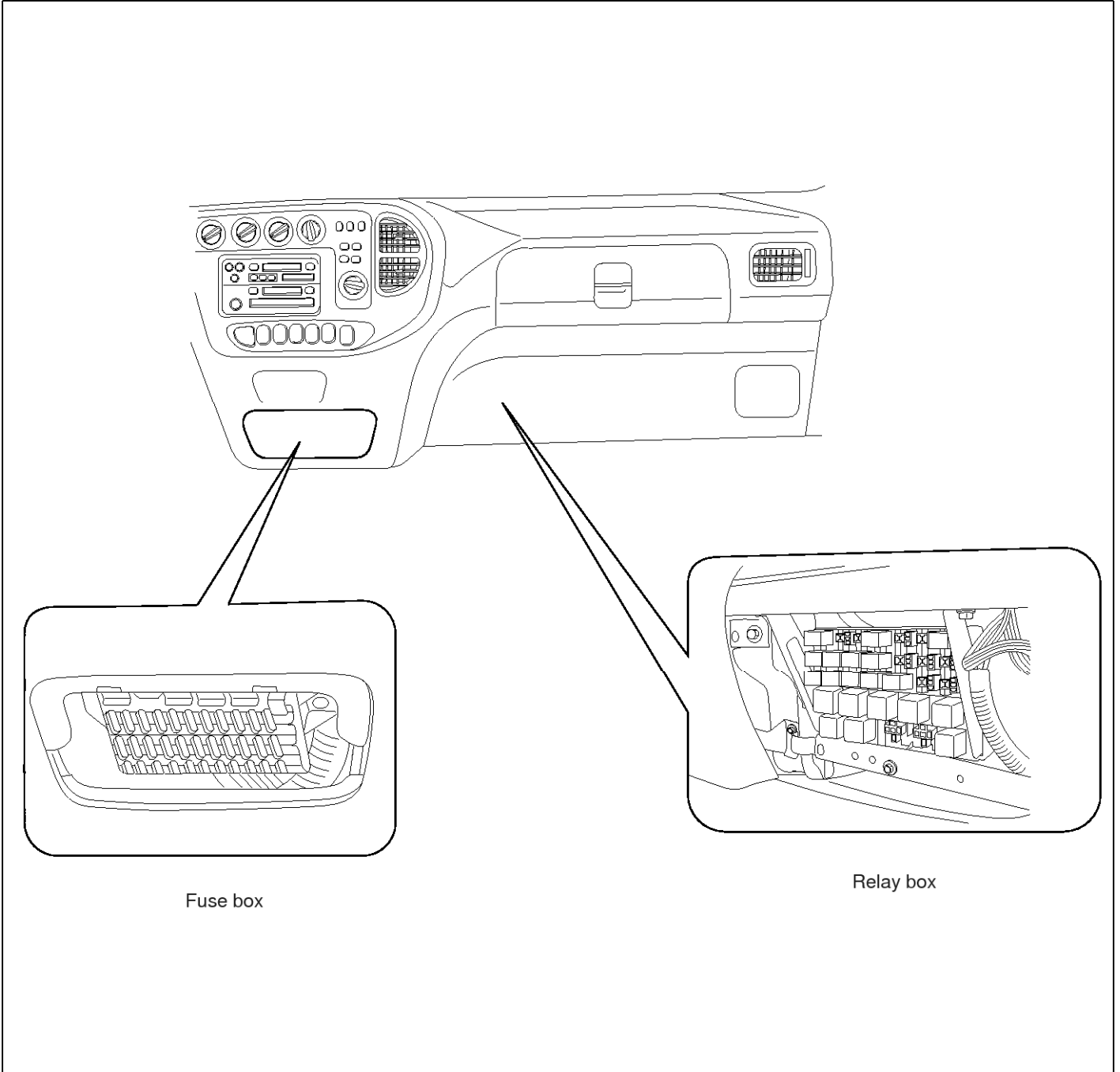


Fuses And Relays

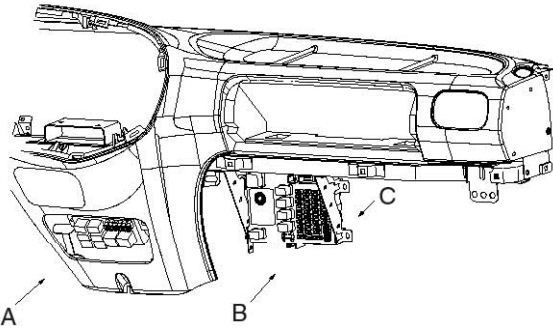
Component Location (Except D4GA engine)



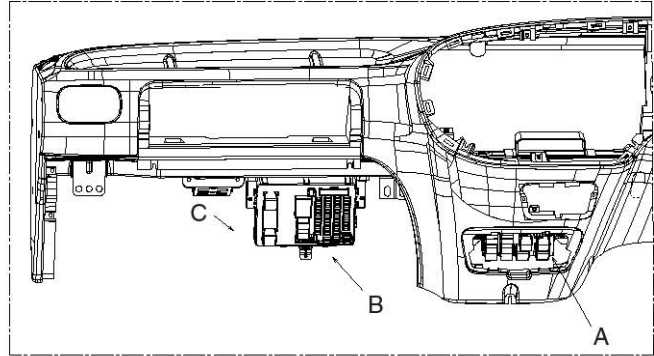
Fuse box

Relay box

Component (D4GA engine)



[LHD]



[RHD]

Fuse & relay box

HEAT MIRROR			HLLD 5A	REAR FOG LP 5A							
T/SIG LH (KEYLESS)	T/SIG LH (KEYLESS)					SPARE 5A				FUSE PULLER	
			START INHIBIT		START						
BURGLAR ALARM											

1. USE DESIGNATED FUSE & RELAY ONLY.
 2. TURN OFF THE KEY SWITCH WHEN EXCHANGING FUSE & RELAY
 3. DO NOT FLOOD OR KICK.

[A]

Front of junction box

		FRONT OF JUNCTION BOX					
POWER WINDOW	EXH BRAKE	FUEL HEATER 20A	STARTER 5A	HEATER 15A	HEAD LP(DIM,LH) 10A		
		POWER WINDOW 20A	ENG ECU 5A	AIRCON COND 20A	HEAD LP(DIM,RH) 10A		
	FOG LP	FOG LP 10A	ADD 5A	HEAD LP RELAY 5A	ENG ECU 5A		
			EXH BRAKE DTG 10A	IND/RES BRAKE 5A	HEAD LP(MAIN,RH) 10A		
DOOR LOCK	DOOR LOCK	CENTRAL LOCK 10A		WIPER 15A	HEAD LP(MAIN,LH) 10A		
		ENG ECU 20A	CIGAR,AUDIO 15A	AIRCON 10A	TAIL LP(LH) 10A		
TAIL LP	DOOR OPEN	STOP LP, HORN 10A	P.T.O 5A	WORKING LP 15A	TAIL LP(RH) 15A		
		TURN SIG 10A	ALTR. REVERSE LP SPEED 10A	CLUSTER ETACS 10A			
		ENG ECU 5A	HEAT MIRROR 15A	P.T.O	FUSE PULLER		
		ROOM LP 10A	DOOR SW(LH)	DOOR SW(RH)			
		KEYLESS 10A	SPARE 5A	SPARE 10A	SPARE 10A	SPARE 15A	SPARE 20A

USE THE DESIGNATED FUSE ONLY

[B]

Back of junction box

BACK OF JUNCTION BOX			
Head lamp (Dimmer)	Wiper (High)	Glow	Fuel heater
Head lamp (Main)			
PTO	Wiper (Low)	Horn	Engine EUC

USE THE DESIGNATED RELAY

[C]

Component(Fuse)

Except D4GA engine

Fuse box

1 15A	2 5A	3 10A	4 10A	5 15A	6 5A	7 5A	8 10A	9 10A	10 15A	11 10A	12 10A
13 20A	14 10A	15 10A	16 10A	17 10A	18 15A	19 15A	20 20A	21 20A	22 10A	23 10A	24 15A
25 10A	26 10A	27 10A	28 10A	29 10A	30 10A	31 10A	32 5A	33 15A	34 15A	35 10A	36 15A

Fuse	Amperages	Circuit protected	Fuse	Amperages	Circuit protected
1	15A	Working lamp	19	15A	Outside mirror defogger
2	5A	Head lamp relay	20	-	-
3	10A	Blower and A/C control	21	20A	Fuel heater
4	10A	Exhaust brake, tachograph(EC), Cold start switch	22	10A	-
5	15A	Wiper and washer	23	10A	Tachograph, ETACS, audio, instrument cluster, room lamp
6	5A	ABS control(ECU)	24	15A	Starting
7	5A	PTO	25	10A	Head lamp(LOW)_LH
8	-	-	26	10A	Head lamp(LOW)_RH
9	10A	Sub start	27	10A	Head lamp(HIGH)_LH
10	-	-	28	10A	Head lamp(HIGH)_RH
11	10A	Vehicle speed sensor, Back up lamps	29	10A	LH Tail lamp
12	10A	ETACS, Instrument cluster	30	10A	RH Tail lamp
13	20A	Power window	31	10A	Front fog lamp
14	10A	Stop lamp, horn, data link connector	32	5A	Engine ECU
15	10A	Cab tilting switch, hazard lamps	33	15A	Condenser fan relay, A/C relay
16	10A	RR FOG lamp	34	15A	Heater blower
17	10A	Power door lock(unlock)	35	10A	12V converter, ETACS
18	15A	ABS control(valve)	36	15A	Instrument cluster, audio, cigarette lighter, clock

CAUTION

Use the designated fuse only.

Components(Relay, Fuse blink)

Relay

Front Fog Lamp Relay	-	-	-	-	-	-
EXH Brake cut off (ABS) Relay	Central door locking relay	Central door locking relay	Heat'G mirror relay	Washer motor relay	Horn relay	-
PTO Relay	Dump warning relay	Left turn signal relay	Right turn signal relay	Exhaust brake relay	Glow relay	Heated seat relay
	Wiper relay (HIGH)	Wiper relay (LOW)	Head lamp relay (MAIN)	Head lamp relay (DIMMER)	Power window relay	
	Start inhibit relay	Fuel heater relay	Engine ECU relay	-	Tail lamp relay	

<25A Alternator>

Generator	Ignition
60A	30A
Body	A/Con
40A	30A

※ Use the designated fuses only.

<40, 50A Alternator>

ABS	
30A	
A/Con	Body
30A	40A
Ignition	Generator
30A	50A

※ Use the designated fuses only.

Description		Amperages (A)	Circuit protected
Fusible Link	Ignition	30A	Ignition switch
	A/C	30A	Fuse 33, 34
	ABS	30A	ABS relay box
	Generator	60A	Generator
	Body	40A	Head lamp relay (HIGH), Head lamp relay (LOW), Tail lamp relay, Fuse 13~21, Fuse 22,23,31