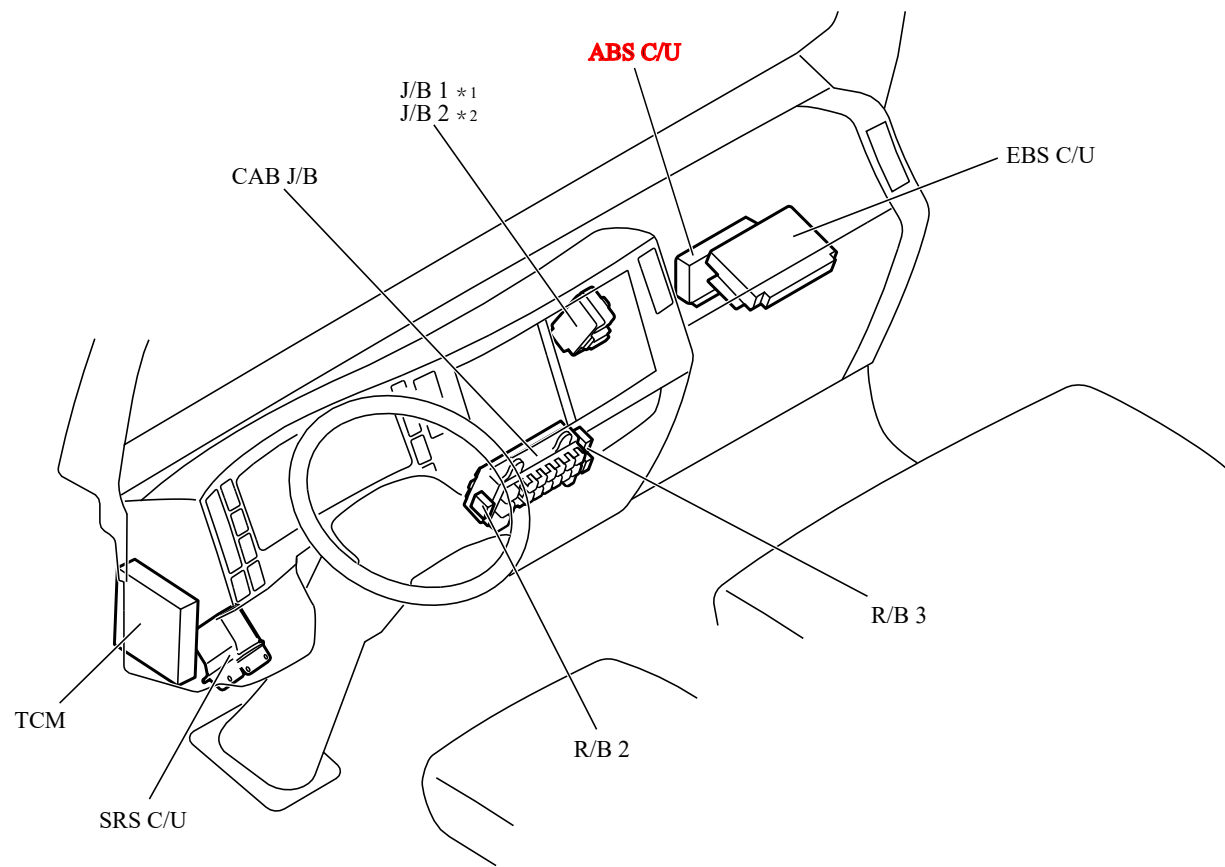
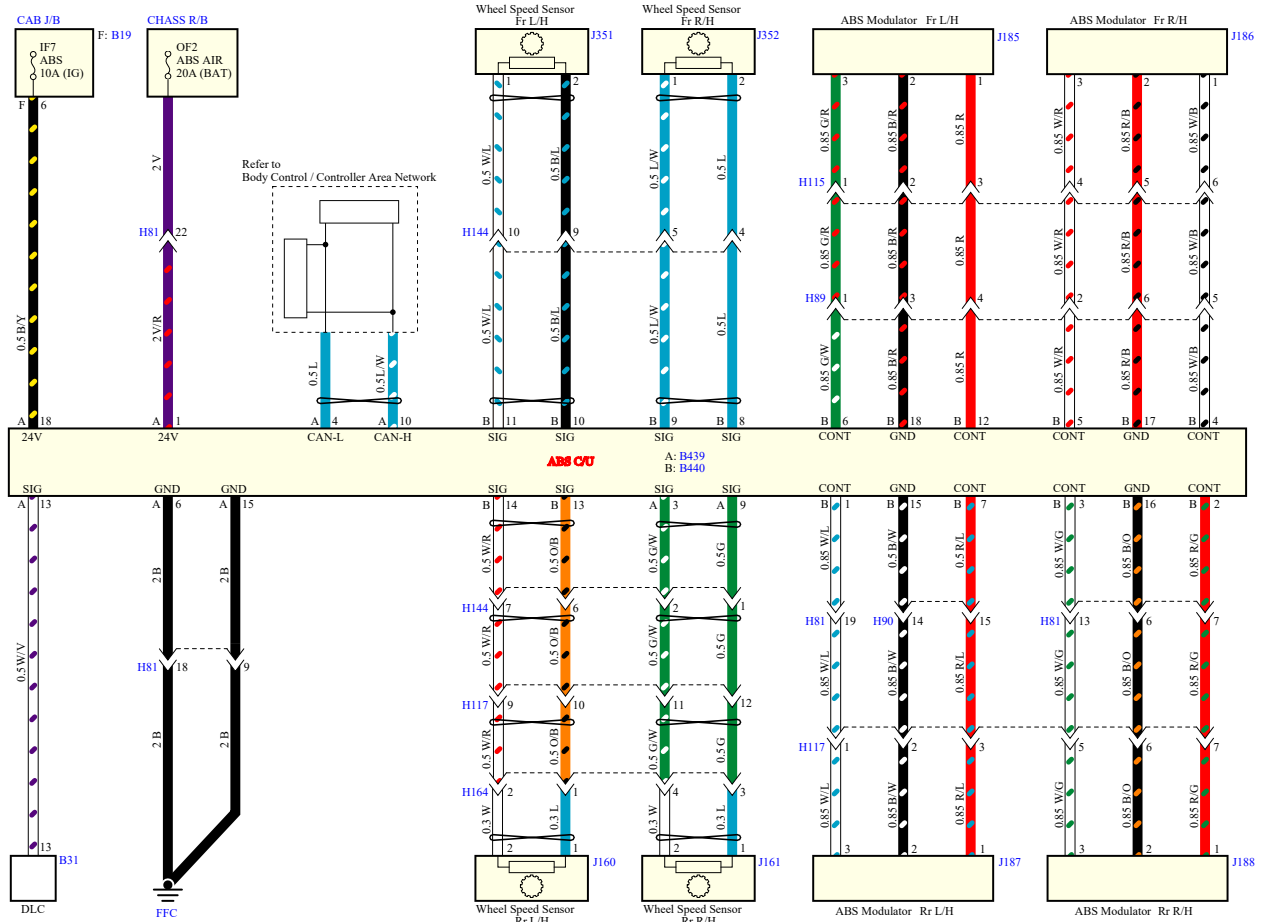


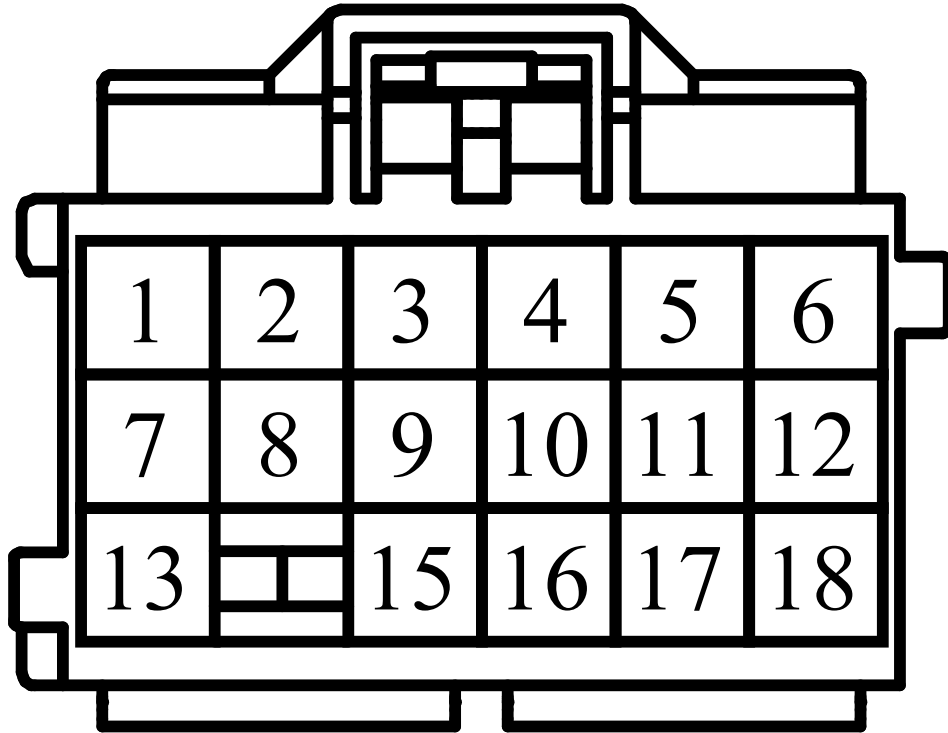
\* 1: Hydraulic Brake  
\* 2: Full Air Brake



Diesel LHD Unit Location Diagram Cab



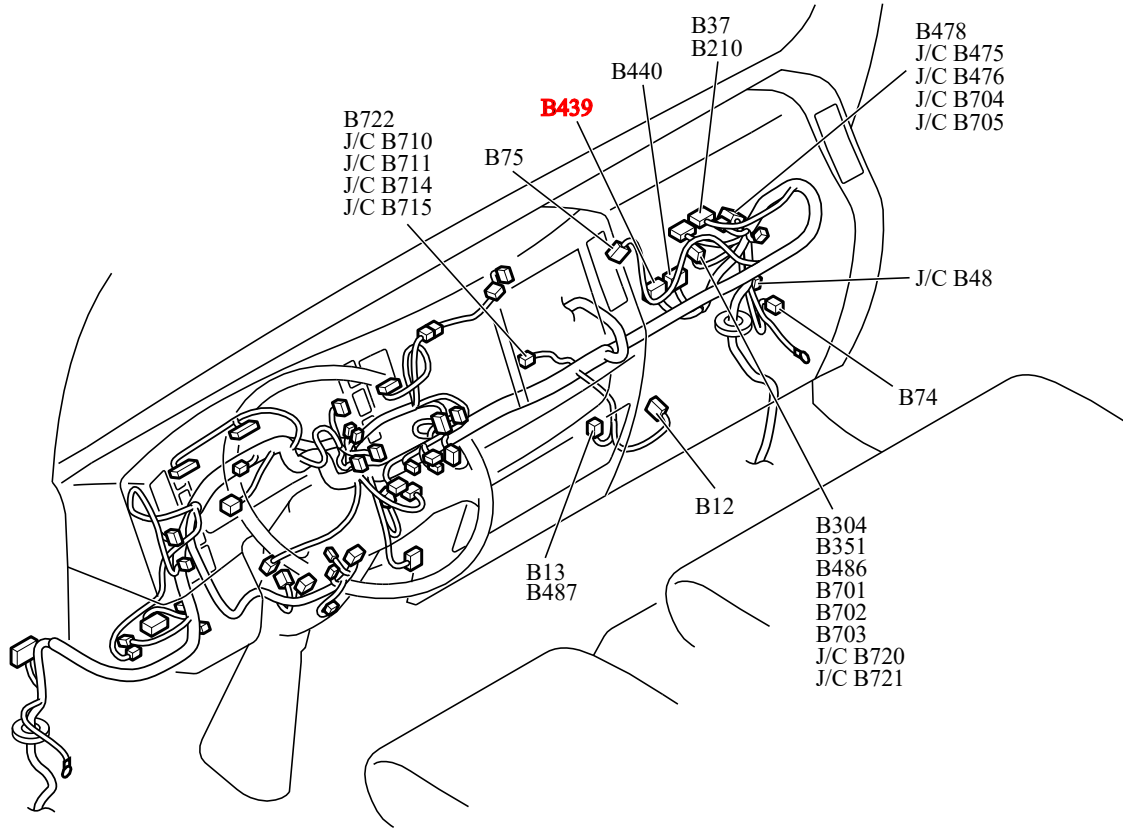
Diesel LHD Anti-lock Brake (Full Air Brake)



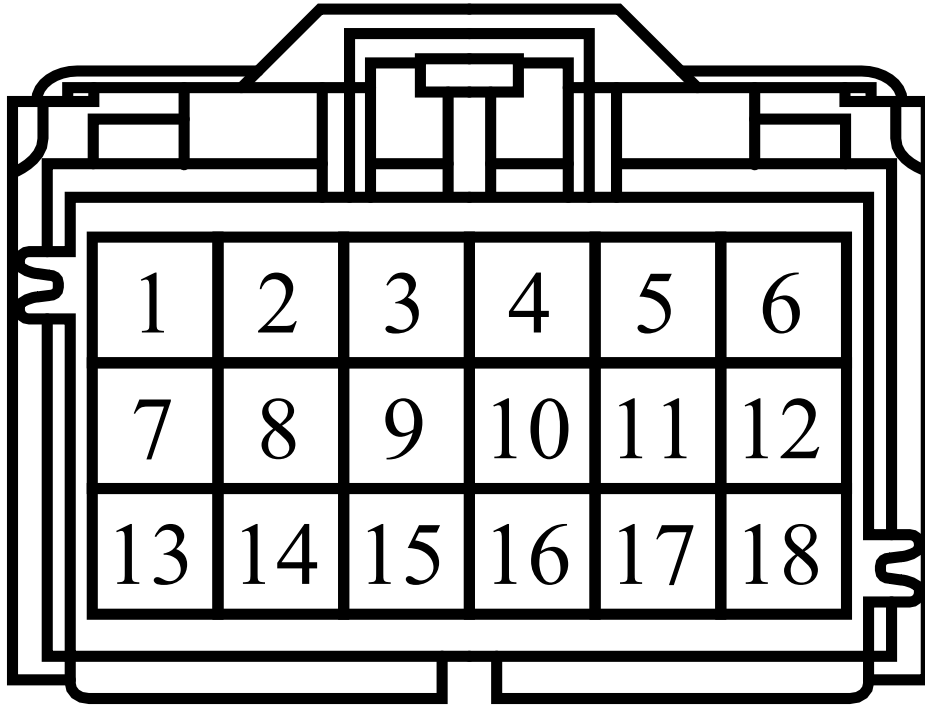
Black

**B439**

Full Air Brake



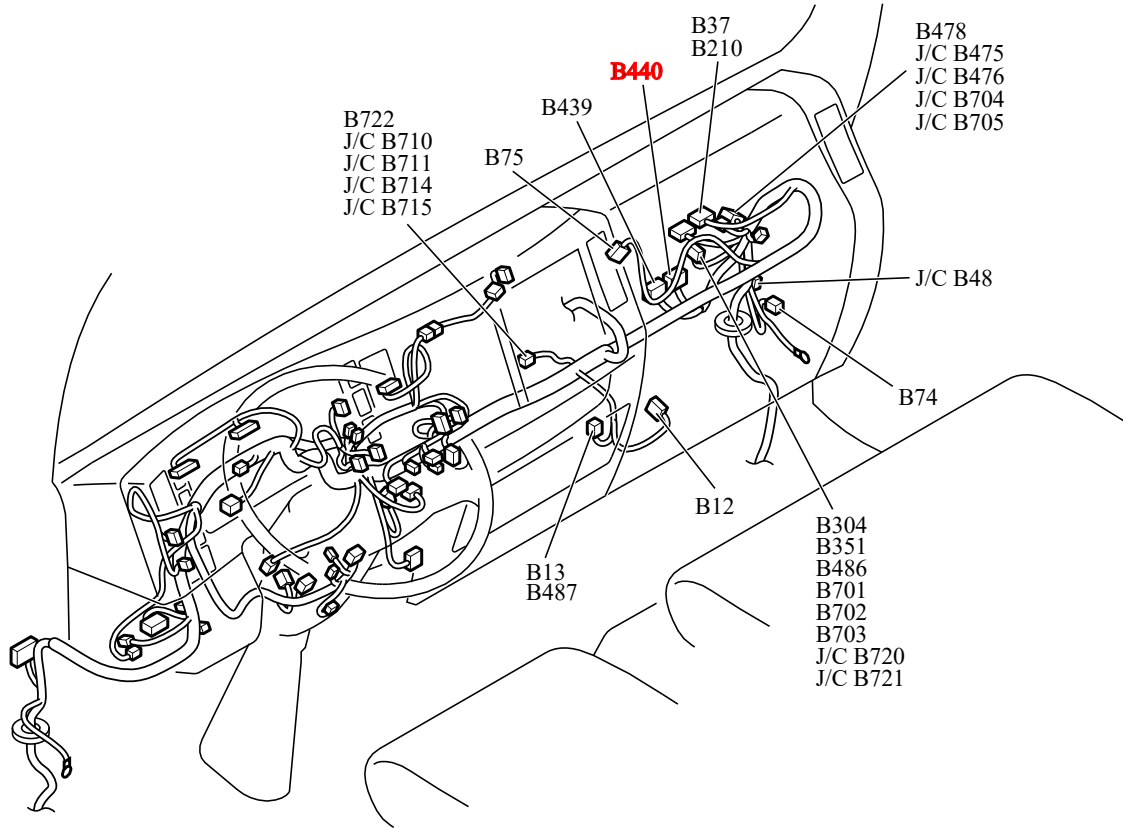
Diesel LHD Connector Location Diagram Instrument Panel 7



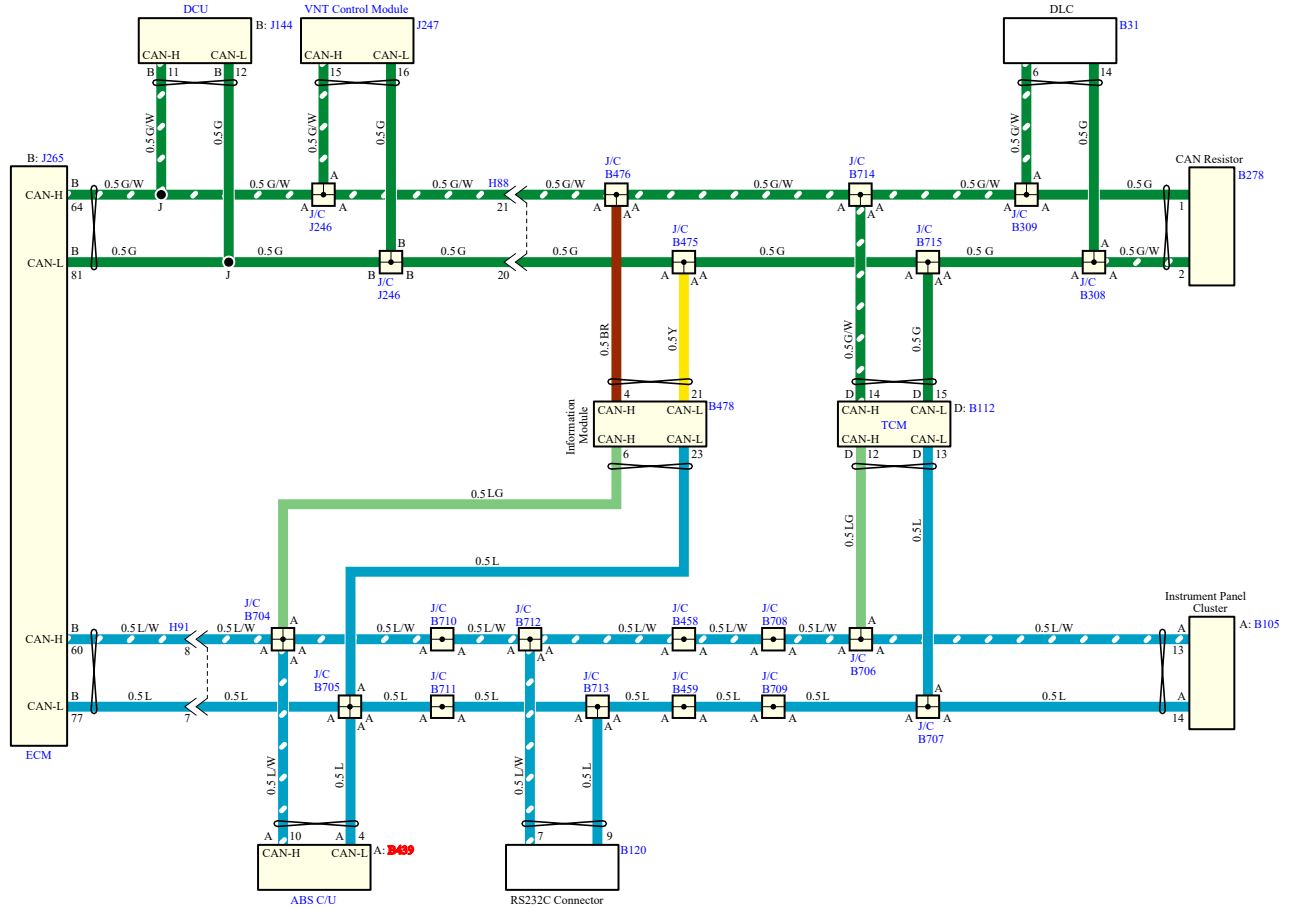
Gray

**B440**

Full Air Brake

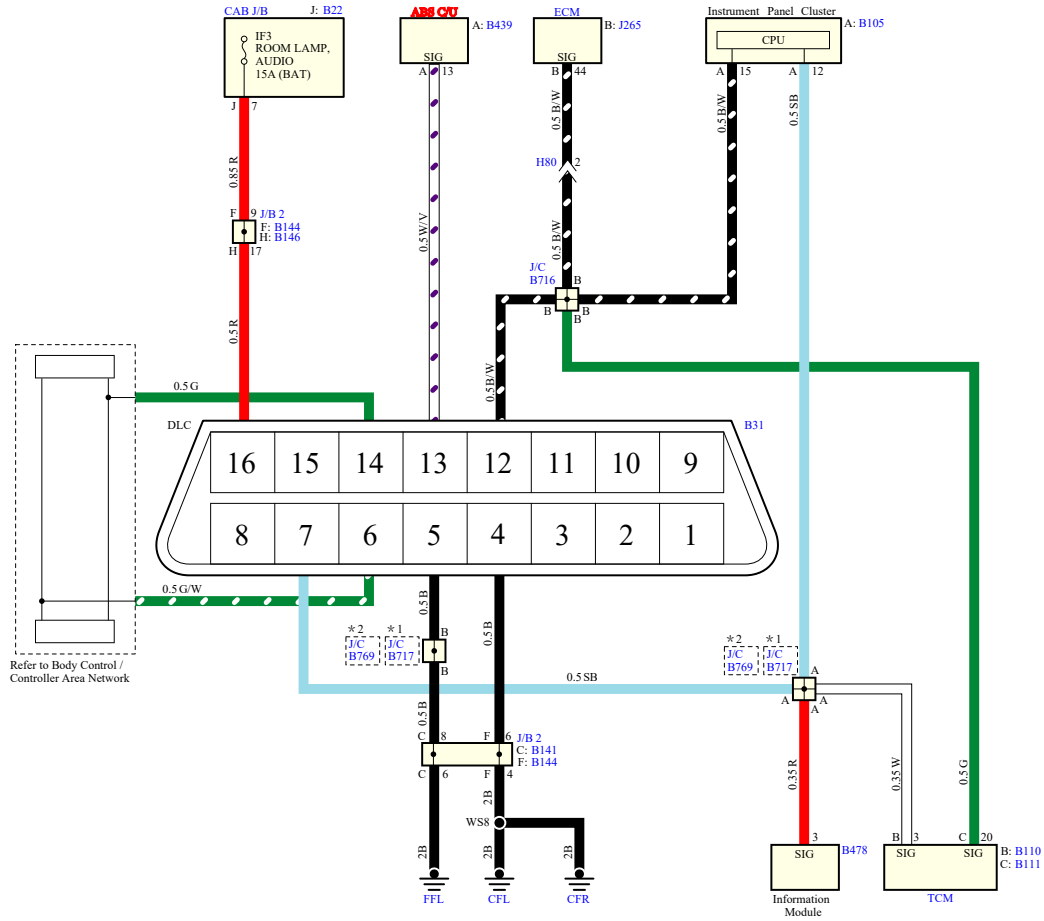


Diesel LHD Connector Location Diagram Instrument Panel 7



Diesel LHD Controller Area Network (4HK1 (Euro6 Full Air Brake))

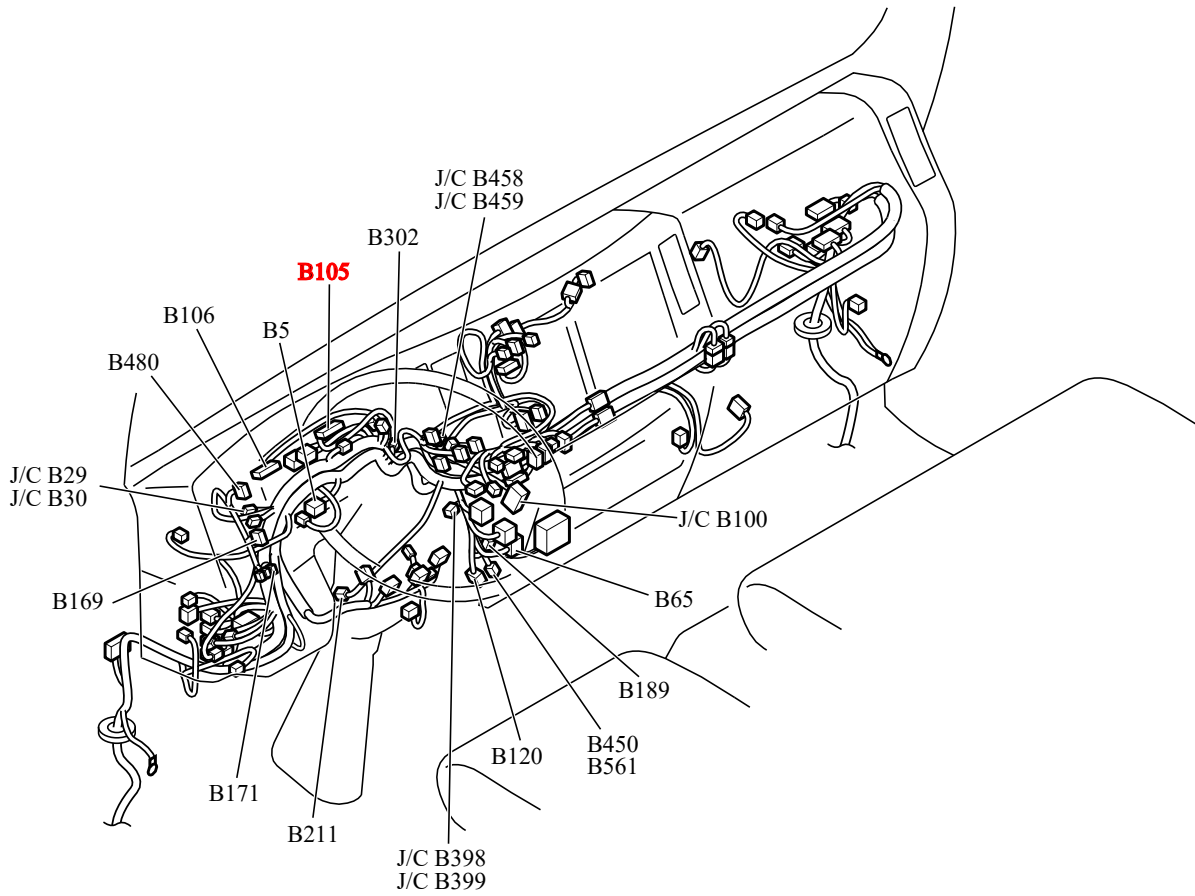
\*1: M/T  
\*2: Smoother



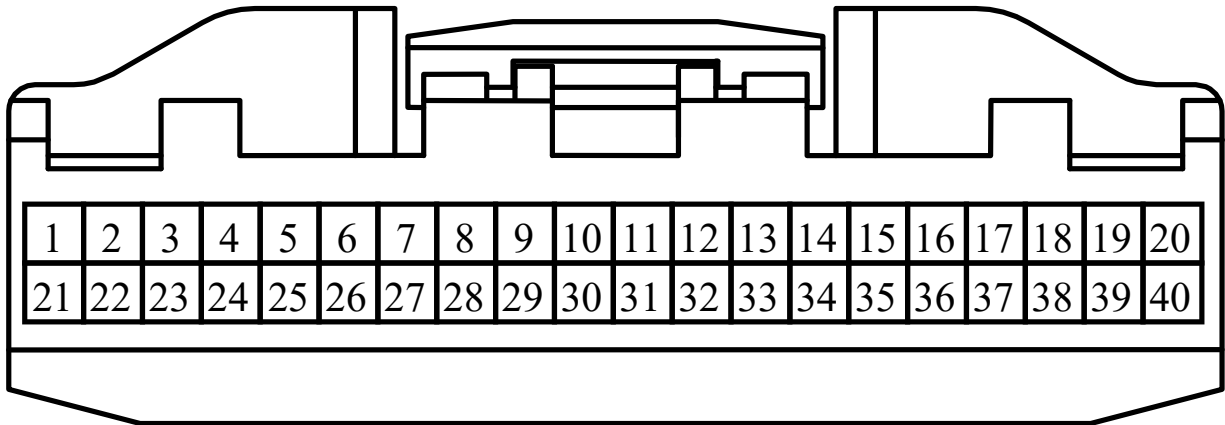
Diesel LHD DLC (4HK1 (Euro6 Full Air Brake))



Hydraulic Brake

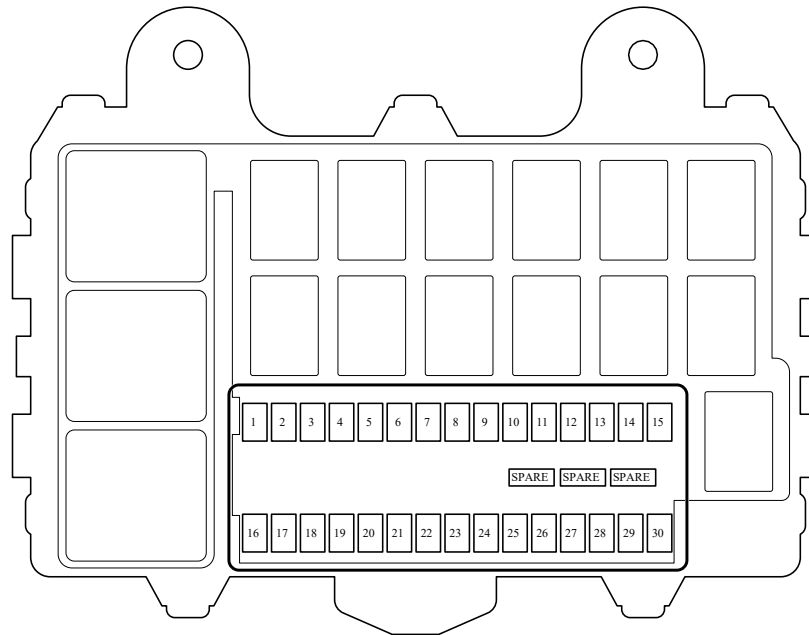


Diesel LHD Connector Location Diagram Instrument Panel 2



**B105**

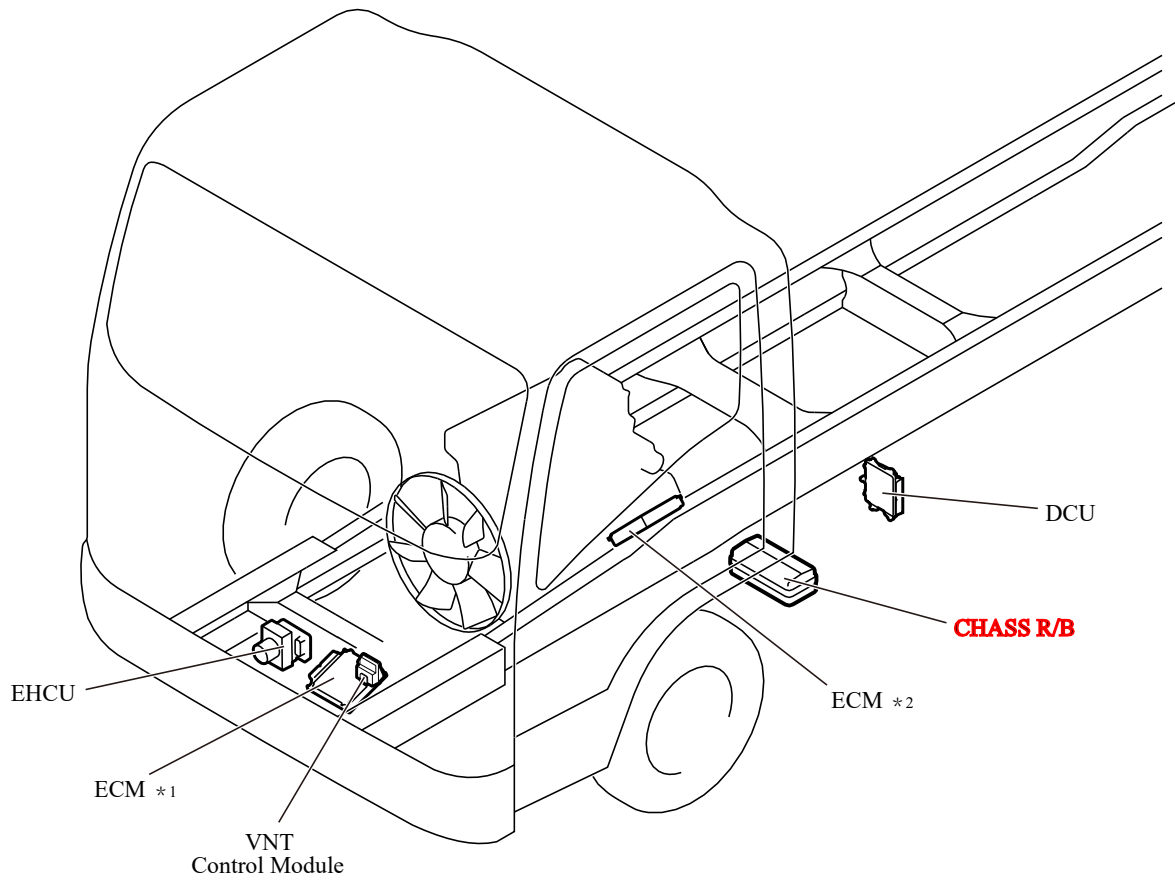
**CAB J/B**



1	2	3	4	5	6	7	8	9	10	11	12	13	14	15	
IF1 ELEC PTO (BATT)	IF2 RR P/WINDOW	IF3 ROOM LAMP, AUDIO	IF4 DOOR LOCK	IF5 FOG LAMP	IF6 P/WINDOW	IF7 ABS	IF8 WIPER	IF9 H/LAMP LO(LH)	IF10 ECU (BATT)	IF11 H/LAMP LO(RH)	IF12 STOP LAMP	IF13 IGNITION2	IF14 H/LAMP HI(LH)	IF15 H/LAMP HI(RH)	
20A	20A	15A	15A	10A	20A	10A	15A	10A	10A	10A	10A	15A	10A	10A	
											SPARE	SPARE	SPARE		
16	17	18	19	20	21	22	23	24	25	26	27	28	29	30	
IF16 ELEC PTO (KEY ST)	IF17 STARTER	IF18 IGNITION1	IF19 SRS	IF20 ECM	IF21 METER	IF22 LAMPS (BATT)	IF23 AUDIO, ACC	IF24 MIRROR	IF25 HORN	IF26 TURN, HAZARD	IF27 TAIL LAMPS	IF28 ILLUMINATIONS	IF29 CORNERING LAMPS, RR FOG LAMP	IF30 BLOWER MOTOR	
10A	10A	15A	10A	10A	10A	10A	15A	15A	15A	15A	10A	10A	10A	20A	

Diesel LHD Fuse Location Diagram Cab Junction Block

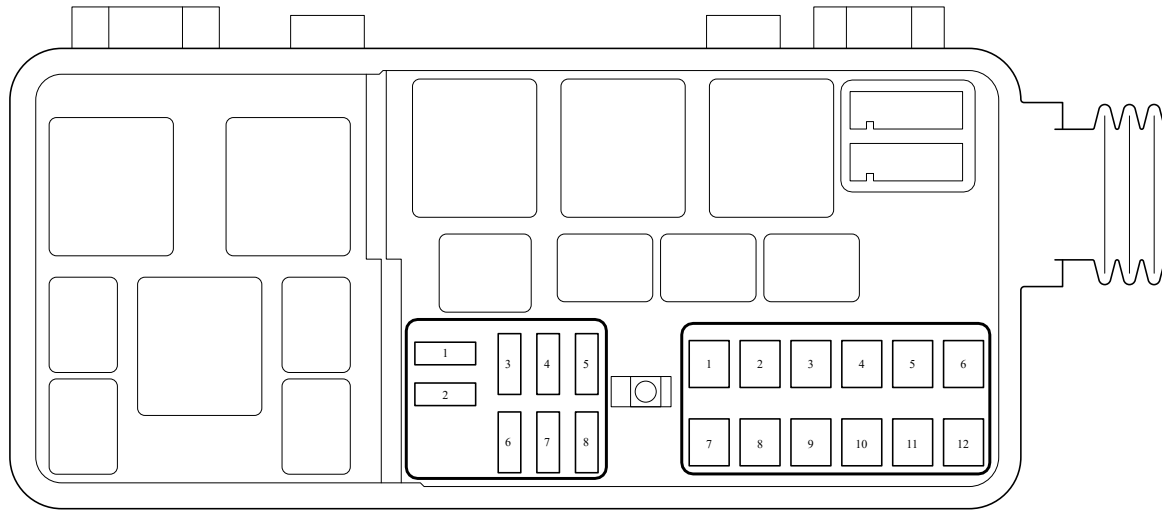
\* 1: NLR, NMR  
\* 2: NPR, NQR



Diesel LHD Unit Location Diagram Chassis

\*1: OF5 SCU (PM SENSOR)

**CHASS R/B** Full Air Brake



1	3	4	5
OF1 MARKER LAMP 10A	OF3 ECM MAIN 10A	—	*1 10A
2	6	7	8
OF2 ABS AIR 20A	OF6 BATTERY 10A	OF7 A/C 15A	OF8 SCR 20A

1	2	3	4	5	6
SBF1 ECM 30A	SBF2 STARTER 60A	—	SBF4 GLOW 60A	SBF5 AM2 30A	SBF6 AM1 40A
7	8	9	10	11	12
SBF7 SMOOTHER 30A	SBF8 HEAD LAMP 50A	SBF9 FUEL HERTER 30A	SBF10 HVAC 60A	—	SBF12 JUNCTION BLOCK 60A

Diesel LHD Fuse Location Diagram Chassis Relay Box 2