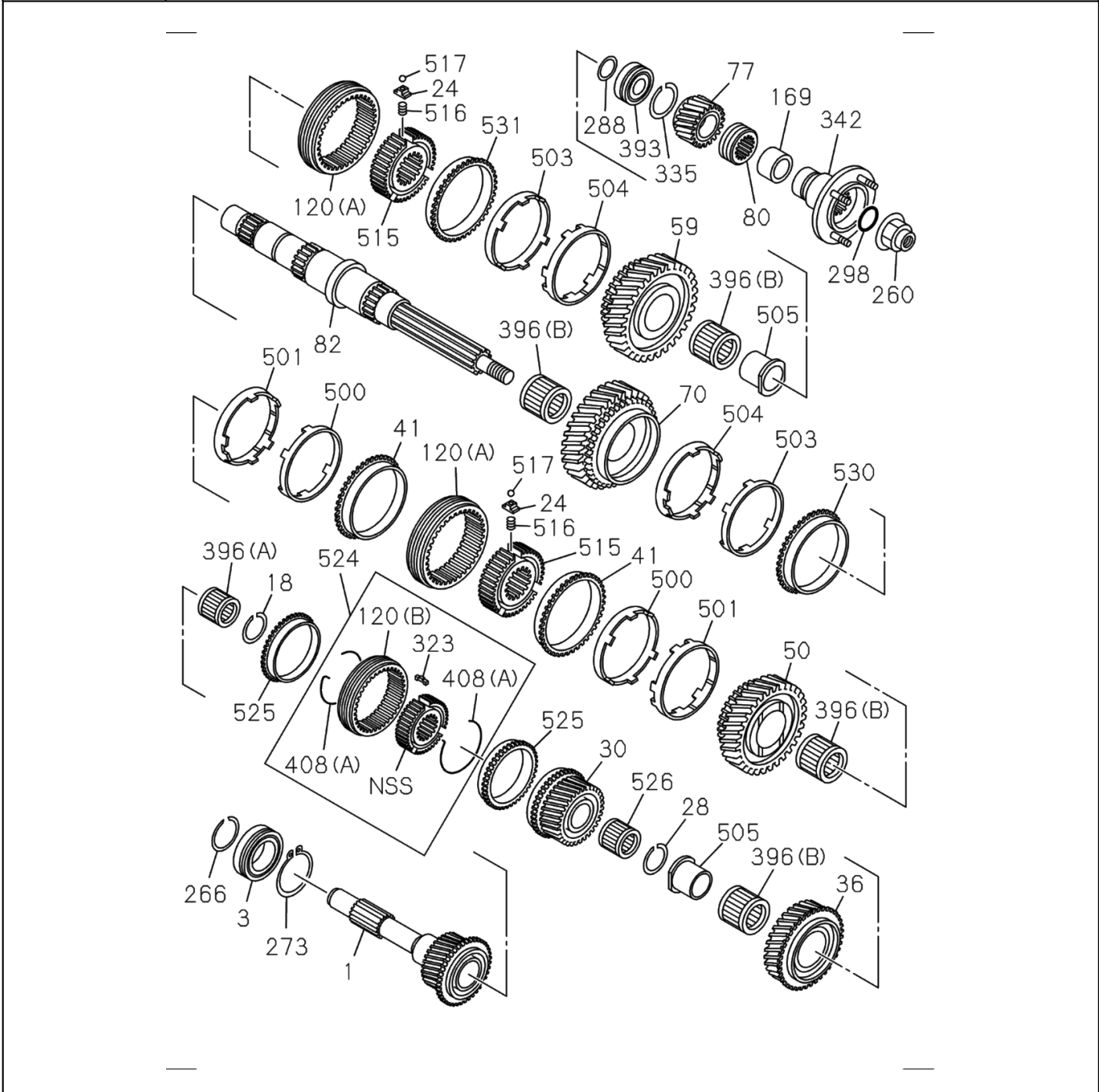


<b>2-26A</b>	<b>MANUAL TRANSMISSION GEAR</b>
FIG-No.	M/T MYY(NO.1)



VIN: JAANPR75MG7100050

Напоминание

---



---



---



---

2-26A		MANUAL TRANSMISSION GEAR				
FIG-No.						
KEY No.	Part Name					
	Part Number	Applied Date	L R	Q t y	Restriction/Remarks	
<b>1</b>	<b>SHAFT; TOP GEAR,TRANS</b>					
	8-98021-266-0	1010-1712		01	Z=26	
<b>3</b>	<b>BEARING; TOP GEAR SHAFT</b>					
	8-97253-098-1	1010-		01	NSK	
<b>18</b>	<b>RING; SNAP,CLU HUB</b>					
	8-97254-728-0	1010-		01	ID=30.7 T=1.8	
<b>24</b>	<b>BLOCK; INDEX,SYN</b>					
	8-97241-313-1	1010-		06		
<b>28</b>	<b>RING; SNAP,3RD GEAR</b>					
	8-97254-743-0	1109-		01	ID=46.5 T=1.8	
<b>30</b>	<b>GEAR; 4TH,MAINSHAFT</b>					
	8-97241-230-0	1010-		01	Z=28	
<b>36</b>	<b>GEAR; 3RD,MAINSHAFT</b>					
	8-97241-234-0	1010-		01	Z=34	
<b>41</b>	<b>RING; BLOCK,2ND &amp; 3RD</b>					
	8-97241-306-1	1010-		02	Z=45	
<b>50</b>	<b>GEAR; 2ND,MAINSHAFT</b>					
	8-97241-237-1	1010-		01	Z=38	
<b>59</b>	<b>GEAR; REV MAINSHAFT</b>					
	8-97241-244-0	1010-		01	Z=41	
<b>70</b>	<b>GEAR; 1ST,MAINSHAFT</b>					
	8-97350-010-0	1010-		01	Z=43	
<b>77</b>	<b>GEAR; 6TH,MAINSHAFT</b>					
	8-97386-582-0	1010-		01	Z=21	
<b>80</b>	<b>GEAR; SPD DRIVE</b>					
	8-97253-556-0	1010-		01	Z=4	
<b>82</b>	<b>SHAFT; MAIN,TRANS</b>					
	8-97253-116-3	1010-		01	Z=28-42-42-21	
<b>93</b>	<b>RING; SNAP,COUNTER FRT BRG</b>					
	8-97254-734-0	1010-		01	ID=30.7 T=1.9	
	8-97254-740-0	1010-		01	ID=30.7 T=2.1	
	8-97254-742-0	1010-		01	ID=30.7 T=2.3	
<b>108</b>	<b>SHAFT; COUNTER</b>					
	8-97380-627-1	1010-		01	Z=47-39-33-20	
<b>115</b>	<b>BEARING; NEEDLE,6TH,COUNTER</b>					
	8-98286-084-0	1411-		01	OD=49.8	
	8-97253-113-0	1109-		01	OD=49.75	
<b>118</b>	<b>GEAR; 6TH,COUNTER</b>					
	8-97386-580-0	1010-		01	Z=50	
<b>120</b>	<b>SLEEVE</b>					

## 2-26A

## MANUAL TRANSMISSION GEAR

FIG-No.

KEY No.	Part Name				
	Part Number	Applied Date	L R	Q t y	Restriction/Remarks
(B)	8-94421-871-1	1010-		01	(B) Z=45
(A)	8-98258-279-0	1312-		02	(A) Z=45
<b>132</b>	<b>SHAFT; REV</b>				
	8-97252-655-0	1109-		01	
<b>135</b>	<b>GEAR; REV IDLER</b>				
	8-98031-869-1	1010-		01	Z=25
<b>169</b>	<b>COLLAR; MAINSHAFT</b>				
	8-97252-937-1	1010-		01	
<b>260</b>	<b>NUT; MAINSHAFT END</b>				
	8-97360-410-0	1109-		01	M27 H=25
<b>266</b>	<b>RING; SNAP,BRG INNER</b>				
	8-97286-916-0	1010-		01	
<b>268</b>	<b>PLATE; ANTI LASH,COUNTER</b>				
	8-97252-684-1	1010-		01	
<b>273</b>	<b>RING; SNAP,BRG OUTER</b>				
	8-97254-610-1	1010-		01	
<b>288</b>	<b>SPACER; BRG,MAINSHAFT</b>				
	8-97252-942-0	1010-		01	
<b>298</b>	<b>GASKET; MAINSHAFT</b>				
	8-98028-226-0	1010-		01	ID=30.6 T=5.7
<b>300</b>	<b>RING; SNAP,COUNTER SHAFT,RR END</b>				
	8-97254-727-0	1010-		01	ID=30.7 T=1.7
	8-97254-728-0	1010-		01	ID=30.7 T=1.8
	8-97254-734-0	1010-		01	ID=30.7 T=1.9
	8-97365-617-0	1010-		01	ID=30.7 T=1.6
<b>314</b>	<b>BEARING; NEEDLE,REV GEAR</b>				
	8-97253-114-0	1109-		01	NSK
<b>323</b>	<b>INSERT</b>				
	8-94448-202-2	1010-		03	
<b>325</b>	<b>SHIM; COUNTER SHAFT BRG</b>				
	8-97252-666-0	1010-		01	ID=62.7 T=2.29
	8-97252-667-0	1010-		01	ID=62.7 T=2.35
	8-97252-668-0	1010-		01	ID=62.7 T=2.41
	8-97252-669-0	1010-		01	ID=62.7 T=2.47
	8-97252-670-0	1010-		01	ID=62.7 T=2.53
	8-97252-671-0	1010-		01	ID=62.7 T=2.59
	8-97252-672-0	1010-		01	ID=62.7 T=2.65
	8-97252-673-0	1010-		01	ID=62.7 T=2.71
	8-97252-674-0	1010-		01	ID=62.7 T=2.77

ALSO INCLUDED IN GASKET SET(M/T).

## 2-26A

## MANUAL TRANSMISSION GEAR

FIG-No.

KEY No.	Part Name				
	Part Number	Applied Date	L R	Q t y	Restriction/Remarks
	8-97252-675-0	1010-		01	ID=62.7 T=2.83
	8-97257-622-0	1010-		01	ID=62.7 T=2.89
	8-97306-188-0	1010-		01	ID=62.7 T=2.11
	8-97306-189-0	1010-		01	ID=62.7 T=2.17
	8-97306-190-0	1010-		01	ID=62.7 T=2.23
	<b>335 RING; SNAP, BEARING</b>				
	8-97254-722-0	1010-		01	
	<b>342 FLANGE; OUTPUT</b>				
	8-98031-862-0	1109-		01	
	<b>393 BEARING; MAINSHAFT END</b>				
	8-97253-105-1	1010-		01	
	<b>396 BEARING; NEEDLE, MAINSHAFT</b>				
(A)	8-97253-102-1	1010-		01	(A)
(B)	8-97253-110-0	1109-		04	(B)
	<b>408 SPRING</b>				
(B)	8-94148-196-0	1010-		03	(B)
(A)	8-97366-040-1	1010-		04	(A)
	<b>423 SLEEVE &amp; HUB ASM; 6TH</b>				
	8-97367-022-0	1010-		01	
	<b>480 WASHER; THRUST, 6TH</b>				
	8-97253-123-1	1010-		01	
	<b>500 RING; OUTSIDE, 3RD &amp; 2ND</b>				
	8-97241-309-1	1010-		02	
	<b>501 RING; INSIDE, 3RD &amp; 2ND</b>				
	8-97241-312-1	1010-		02	
	<b>503 RING; OUTSIDE, LOW &amp; REV</b>				
	8-97241-309-1	1010-		01	
	<b>504 RING; INSIDE, LOW &amp; REV</b>				
	8-97241-312-1	1010-		01	
	<b>505 COLLAR; 3RD &amp; REV</b>				
	8-97253-119-2	1109-		02	
	<b>506 COLLAR; 6TH, COUNTER</b>				
	8-97253-121-1	1010-		01	
	<b>507 BEARING; COUNTER SHAFT, FRT &amp; RR</b>				
	8-97253-107-0	1010-		02	
	<b>508 RING; BLOCK, 6TH</b>				
	8-97309-532-0	1010-		01	Z=45
	<b>510 PIN; STRAIGHT, ANTI LASH</b>				
	9-08160-825-0	1010-		03	
	<b>511 RING; SNAP, ANTI LASH PLATE</b>				

2-26A		MANUAL TRANSMISSION GEAR				
FIG-No.						
KEY No.	Part Name					
	Part Number	Applied Date	L R	Q t y	Restriction/Remarks	
	8-97254-767-0	1010-		01		
<b>515</b>	<b>HUB; CLU,1ST &amp; REV,2ND &amp; 3RD</b>					
	8-97241-298-3	1010-		02		
<b>516</b>	<b>SPRING; SYNCHRO,INDEX</b>					
	8-97254-835-0	1010-		06		
<b>517</b>	<b>BALL; SYNCHRO,INDEX</b>					
	8-97252-935-0	1010-		06		
<b>524</b>	<b>SLEEVE &amp; HUB ASM; TOP-4TH,OD</b>					
	8-97366-526-0	1010-		01		
<b>525</b>	<b>RING; BLOCK, TOP &amp; 4TH,OD</b>					
	8-97309-532-0	1010-		02	Z=45	
<b>526</b>	<b>BEARING; NEEDLE,4TH &amp; 5TH</b>					
	8-97253-112-0	1010-		01		
<b>527</b>	<b>INSERT; 6TH</b>					
	8-94448-202-2	1010-		03		
<b>528</b>	<b>SLEEVE; 6TH</b>					
	8-94421-871-1	1010-		01	Z=45	
<b>529</b>	<b>PLATE; STOPPER,6TH</b>					
	8-97248-952-0	1010-		01		
<b>530</b>	<b>RING; BLOCK,LOW</b>					
	8-97241-306-1	1010-		01	Z=45	
<b>531</b>	<b>RING; BLOCK,REV</b>					
	8-97368-343-0	1010-		01	Z=45	

VIN: JAANPR75MG7100050

Напоминание

---



---



---



---



---



2-26A		MANUAL TRANSMISSION GEAR				
FIG-No.						
KEY No.	Part Name					
	Part Number	Applied Date	L R	Q t y	Restriction/Remarks	
<b>1</b>	<b>SHAFT; TOP GEAR,TRANS</b>					
	8-98021-266-0	1010-1712		01	Z=26	
<b>3</b>	<b>BEARING; TOP GEAR SHAFT</b>					
	8-97253-098-1	1010-		01	NSK	
<b>18</b>	<b>RING; SNAP,CLU HUB</b>					
	8-97254-728-0	1010-		01	ID=30.7 T=1.8	
<b>24</b>	<b>BLOCK; INDEX,SYN</b>					
	8-97241-313-1	1010-		06		
<b>28</b>	<b>RING; SNAP,3RD GEAR</b>					
	8-97254-743-0	1109-		01	ID=46.5 T=1.8	
<b>30</b>	<b>GEAR; 4TH,MAINSHAFT</b>					
	8-97241-230-0	1010-		01	Z=28	
<b>36</b>	<b>GEAR; 3RD,MAINSHAFT</b>					
	8-97241-234-0	1010-		01	Z=34	
<b>41</b>	<b>RING; BLOCK,2ND &amp; 3RD</b>					
	8-97241-306-1	1010-		02	Z=45	
<b>50</b>	<b>GEAR; 2ND,MAINSHAFT</b>					
	8-97241-237-1	1010-		01	Z=38	
<b>59</b>	<b>GEAR; REV MAINSHAFT</b>					
	8-97241-244-0	1010-		01	Z=41	
<b>70</b>	<b>GEAR; 1ST,MAINSHAFT</b>					
	8-97350-010-0	1010-		01	Z=43	
<b>77</b>	<b>GEAR; 6TH,MAINSHAFT</b>					
	8-97386-582-0	1010-		01	Z=21	
<b>80</b>	<b>GEAR; SPD DRIVE</b>					
	8-97253-556-0	1010-		01	Z=4	
<b>82</b>	<b>SHAFT; MAIN,TRANS</b>					
	8-97253-116-3	1010-		01	Z=28-42-42-21	
<b>93</b>	<b>RING; SNAP,COUNTER FRT BRG</b>					
	8-97254-734-0	1010-		01	ID=30.7 T=1.9	
	8-97254-740-0	1010-		01	ID=30.7 T=2.1	
	8-97254-742-0	1010-		01	ID=30.7 T=2.3	
<b>108</b>	<b>SHAFT; COUNTER</b>					
	8-97380-627-1	1010-		01	Z=47-39-33-20	
<b>115</b>	<b>BEARING; NEEDLE,6TH,COUNTER</b>					
	8-98286-084-0	1411-		01	OD=49.8	
	8-97253-113-0	1109-		01	OD=49.75	
<b>118</b>	<b>GEAR; 6TH,COUNTER</b>					
	8-97386-580-0	1010-		01	Z=50	
<b>120</b>	<b>SLEEVE</b>					

## 2-26A

## MANUAL TRANSMISSION GEAR

FIG-No.

KEY No.	Part Name				
	Part Number	Applied Date	L R	Q t y	Restriction/Remarks
(B)	8-94421-871-1	1010-		01	(B) Z=45
(A)	8-98258-279-0	1312-		02	(A) Z=45
<b>132</b>	<b>SHAFT; REV</b>				
	8-97252-655-0	1109-		01	
<b>135</b>	<b>GEAR; REV IDLER</b>				
	8-98031-869-1	1010-		01	Z=25
<b>169</b>	<b>COLLAR; MAINSHAFT</b>				
	8-97252-937-1	1010-		01	
<b>260</b>	<b>NUT; MAINSHAFT END</b>				
	8-97360-410-0	1109-		01	M27 H=25
<b>266</b>	<b>RING; SNAP,BRG INNER</b>				
	8-97286-916-0	1010-		01	
<b>268</b>	<b>PLATE; ANTI LASH,COUNTER</b>				
	8-97252-684-1	1010-		01	
<b>273</b>	<b>RING; SNAP,BRG OUTER</b>				
	8-97254-610-1	1010-		01	
<b>288</b>	<b>SPACER; BRG,MAINSHAFT</b>				
	8-97252-942-0	1010-		01	
<b>298</b>	<b>GASKET; MAINSHAFT</b>				
	8-98028-226-0	1010-		01	ID=30.6 T=5.7
<b>300</b>	<b>RING; SNAP,COUNTER SHAFT,RR END</b>				
	8-97254-727-0	1010-		01	ID=30.7 T=1.7
	8-97254-728-0	1010-		01	ID=30.7 T=1.8
	8-97254-734-0	1010-		01	ID=30.7 T=1.9
	8-97365-617-0	1010-		01	ID=30.7 T=1.6
<b>314</b>	<b>BEARING; NEEDLE,REV GEAR</b>				
	8-97253-114-0	1109-		01	NSK
<b>323</b>	<b>INSERT</b>				
	8-94448-202-2	1010-		03	
<b>325</b>	<b>SHIM; COUNTER SHAFT BRG</b>				
	8-97252-666-0	1010-		01	ID=62.7 T=2.29
	8-97252-667-0	1010-		01	ID=62.7 T=2.35
	8-97252-668-0	1010-		01	ID=62.7 T=2.41
	8-97252-669-0	1010-		01	ID=62.7 T=2.47
	8-97252-670-0	1010-		01	ID=62.7 T=2.53
	8-97252-671-0	1010-		01	ID=62.7 T=2.59
	8-97252-672-0	1010-		01	ID=62.7 T=2.65
	8-97252-673-0	1010-		01	ID=62.7 T=2.71
	8-97252-674-0	1010-		01	ID=62.7 T=2.77

ALSO INCLUDED IN GASKET SET(M/T).



## 2-26A

## MANUAL TRANSMISSION GEAR

FIG-No.

KEY No.	Part Name				
	Part Number	Applied Date	L R	Q t y	Restriction/Remarks
	8-97252-675-0	1010-		01	ID=62.7 T=2.83
	8-97257-622-0	1010-		01	ID=62.7 T=2.89
	8-97306-188-0	1010-		01	ID=62.7 T=2.11
	8-97306-189-0	1010-		01	ID=62.7 T=2.17
	8-97306-190-0	1010-		01	ID=62.7 T=2.23
	<b>335 RING; SNAP, BEARING</b>				
	8-97254-722-0	1010-		01	
	<b>342 FLANGE; OUTPUT</b>				
	8-98031-862-0	1109-		01	
	<b>393 BEARING; MAINSHAFT END</b>				
	8-97253-105-1	1010-		01	
	<b>396 BEARING; NEEDLE, MAINSHAFT</b>				
(A)	8-97253-102-1	1010-		01	(A)
(B)	8-97253-110-0	1109-		04	(B)
	<b>408 SPRING</b>				
(B)	8-94148-196-0	1010-		03	(B)
(A)	8-97366-040-1	1010-		04	(A)
	<b>423 SLEEVE &amp; HUB ASM; 6TH</b>				
	8-97367-022-0	1010-		01	
	<b>480 WASHER; THRUST, 6TH</b>				
	8-97253-123-1	1010-		01	
	<b>500 RING; OUTSIDE, 3RD &amp; 2ND</b>				
	8-97241-309-1	1010-		02	
	<b>501 RING; INSIDE, 3RD &amp; 2ND</b>				
	8-97241-312-1	1010-		02	
	<b>503 RING; OUTSIDE, LOW &amp; REV</b>				
	8-97241-309-1	1010-		01	
	<b>504 RING; INSIDE, LOW &amp; REV</b>				
	8-97241-312-1	1010-		01	
	<b>505 COLLAR; 3RD &amp; REV</b>				
	8-97253-119-2	1109-		02	
	<b>506 COLLAR; 6TH, COUNTER</b>				
	8-97253-121-1	1010-		01	
	<b>507 BEARING; COUNTER SHAFT, FRT &amp; RR</b>				
	8-97253-107-0	1010-		02	
	<b>508 RING; BLOCK, 6TH</b>				
	8-97309-532-0	1010-		01	Z=45
	<b>510 PIN; STRAIGHT, ANTI LASH</b>				
	9-08160-825-0	1010-		03	
	<b>511 RING; SNAP, ANTI LASH PLATE</b>				

2-26A		MANUAL TRANSMISSION GEAR				
FIG-No.						
KEY No.	Part Name					
	Part Number	Applied Date	L R	Q t y	Restriction/Remarks	
	8-97254-767-0	1010-		01		
<b>515</b>	<b>HUB; CLU,1ST &amp; REV,2ND &amp; 3RD</b>					
	8-97241-298-3	1010-		02		
<b>516</b>	<b>SPRING; SYNCHRO,INDEX</b>					
	8-97254-835-0	1010-		06		
<b>517</b>	<b>BALL; SYNCHRO,INDEX</b>					
	8-97252-935-0	1010-		06		
<b>524</b>	<b>SLEEVE &amp; HUB ASM; TOP-4TH,OD</b>					
	8-97366-526-0	1010-		01		
<b>525</b>	<b>RING; BLOCK, TOP &amp; 4TH, OD</b>					
	8-97309-532-0	1010-		02	Z=45	
<b>526</b>	<b>BEARING; NEEDLE, 4TH &amp; 5TH</b>					
	8-97253-112-0	1010-		01		
<b>527</b>	<b>INSERT; 6TH</b>					
	8-94448-202-2	1010-		03		
<b>528</b>	<b>SLEEVE; 6TH</b>					
	8-94421-871-1	1010-		01	Z=45	
<b>529</b>	<b>PLATE; STOPPER, 6TH</b>					
	8-97248-952-0	1010-		01		
<b>530</b>	<b>RING; BLOCK, LOW</b>					
	8-97241-306-1	1010-		01	Z=45	
<b>531</b>	<b>RING; BLOCK, REV</b>					
	8-97368-343-0	1010-		01	Z=45	

VIN: JAANPR75MG7100050

Напоминание

---



---



---



---



---