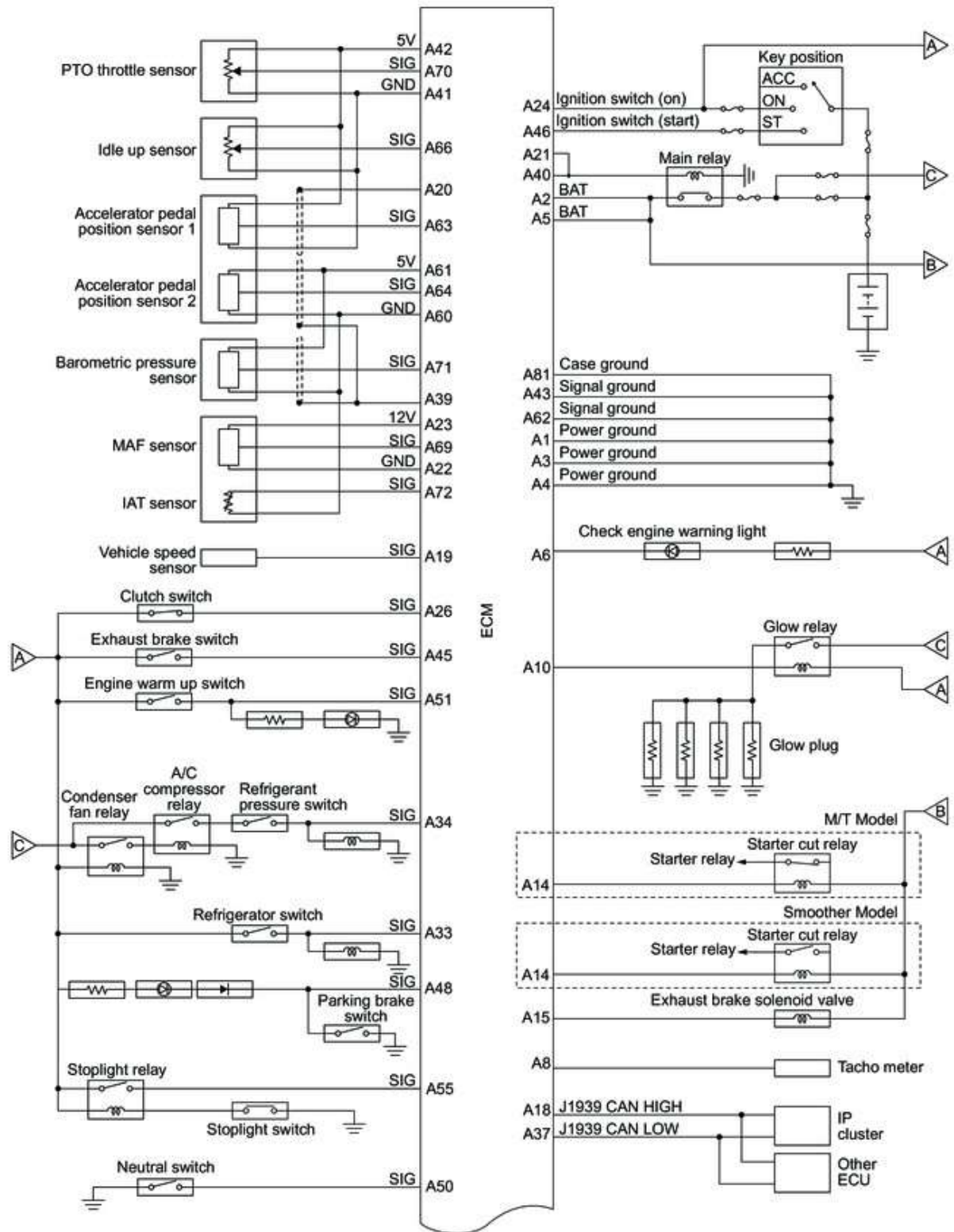
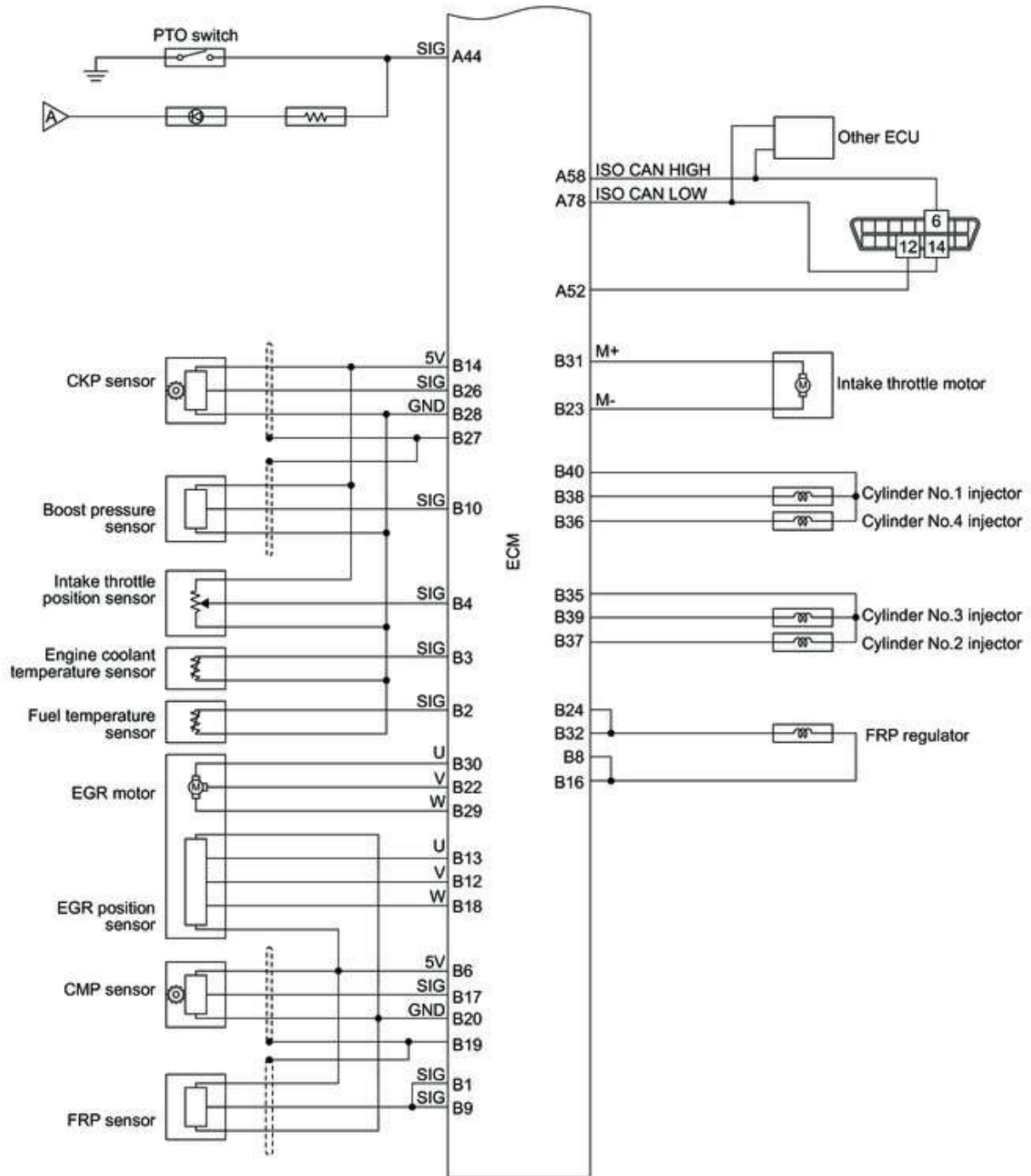


BBWEZ05H000101

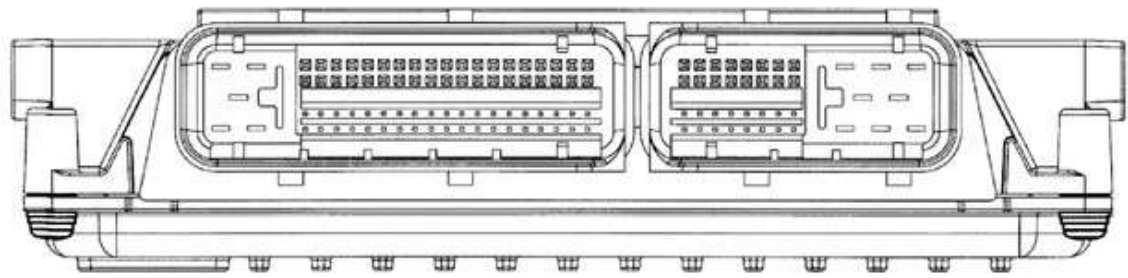


LNWJ1AXF008301



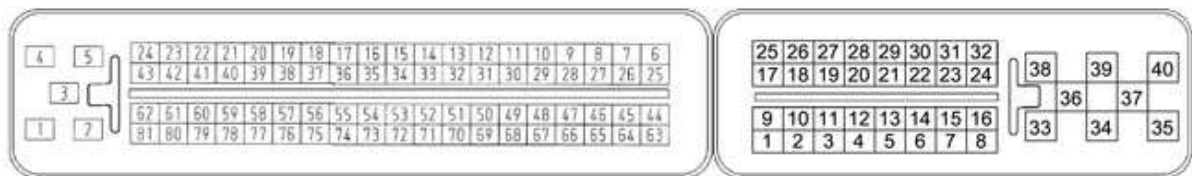
LNWH1AXF005301

2. ECM outline



Connector A

Connector B



RTWE20MF000401

3. ECM pin layout

81 pin (A connector)

PIN No.	Pin function
1	ECM power ground
2	Battery voltage
3	ECM power ground
4	ECM power ground
5	Battery voltage
6	Check engine warning light control
7	-
8	Engine speed signal output
9	-
10	Glow relay control
11	-
12	-
13	-
14	Starter cut relay control
15	Exhaust brake solenoid valve control
16	-
17	-
18	J1939 CAN high signal
19	Vehicle speed signal from speed sensor
20	Accelerator pedal position sensor 1 shield ground
21	ECM main relay control
22	MAF sensor low reference
23	MAF sensor 12 V reference
24	Ignition switch signal

25	-
26	Clutch switch signal
27	-
28	-
29	-
30	-
31	-
32	-
33	Refrigerator switch signal
34	A/C signal
35	-
36	-
37	J1939 CAN low signal
38	-
39	Accelerator pedal position sensor 2 and barometric pressure sensor shield ground
40	ECM main relay control
41	Accelerator pedal position sensor 1, idle up sensor, and PTO throttle sensor low reference
42	Accelerator pedal position sensor 1, idle up sensor, and PTO throttle sensor 5 V reference
43	ECM signal ground
44	PTO switch signal
45	Exhaust brake switch signal
46	Ignition switch signal
47	-
48	Parking brake switch signal
49	-
50	Neutral switch signal
51	Engine warm up switch signal
52	Diagnostic request switch
53	-
54	-
55	Stoplight switch signal
56	-
57	-
58	ISO CAN high signal
59	-
60	Accelerator pedal position sensor 2, barometric pressure sensor, and intake air temperature sensor low reference
61	Accelerator pedal position sensor 2, barometric pressure sensor 5 V reference
62	ECM signal ground
63	Accelerator pedal position sensor 1 signal
64	Accelerator pedal position sensor 2 signal
65	-
66	Idle up sensor signal
67	-
68	-
69	MAF sensor signal
70	PTO throttle sensor signal
71	Barometric pressure sensor signal

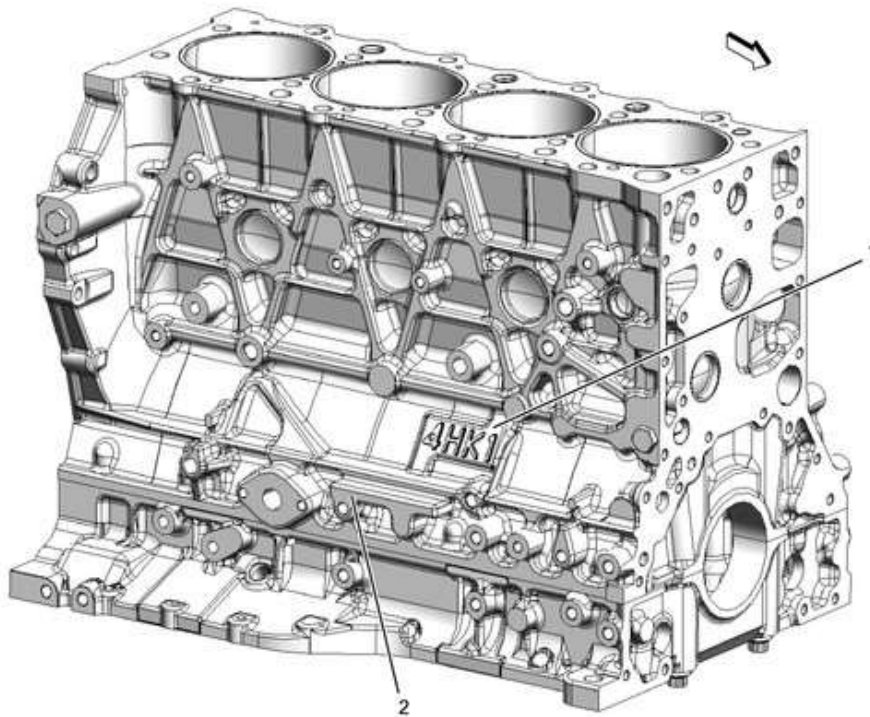
72	IAT sensor signal
73	-
74	-
75	-
76	-
77	-
78	ISO CAN low signal
79	-
80	-
81	ECM case ground

40 pin (B connector)

PIN No.	Pin function
1	FRP sensor signal
2	Fuel temperature sensor signal
3	Engine coolant temperature sensor signal
4	Intake throttle position sensor signal
5	-
6	CMP sensor, FRP sensor, and EGR position sensor 5 V reference
7	-
8	FRP regulator low side
9	FRP sensor signal
10	Boost pressure sensor signal
11	-
12	EGR position sensor signal 2
13	EGR position sensor signal 1
14	CKP sensor, boost pressure sensor, and intake throttle position sensor 5 V reference
15	-
16	FRP regulator low side
17	CMP sensor signal
18	EGR position sensor signal 3
19	CMP sensor and FRP sensor shield ground
20	CMP sensor, FRP sensor, and EGR position sensor low reference
21	-
22	EGR motor control 2 (PWM)
23	Intake throttle motor low side (PWM)
24	FRP regulator control high side (PWM)
25	-
26	CKP sensor signal
27	CKP sensor and boost pressure sensor shield ground
28	CKP sensor, intake throttle position sensor, fuel temperature sensor, engine coolant temperature sensor, and boost pressure sensor low reference
29	EGR motor control 3 (PWM)
30	EGR motor control 1 (PWM)
31	Intake throttle motor drive voltage
32	FRP regulator control high side (PWM)
33	-
34	-
35	Common 2 (cylinder No. 2 and No. 3) injector charge voltage
36	Cylinder No. 4 injector solenoid control
37	Cylinder No. 2 injector solenoid control

38	Cylinder No. 1 injector solenoid control
39	Cylinder No. 3 injector solenoid control
40	Common 1 (cylinder No. 1 and No. 4) injector charge voltage

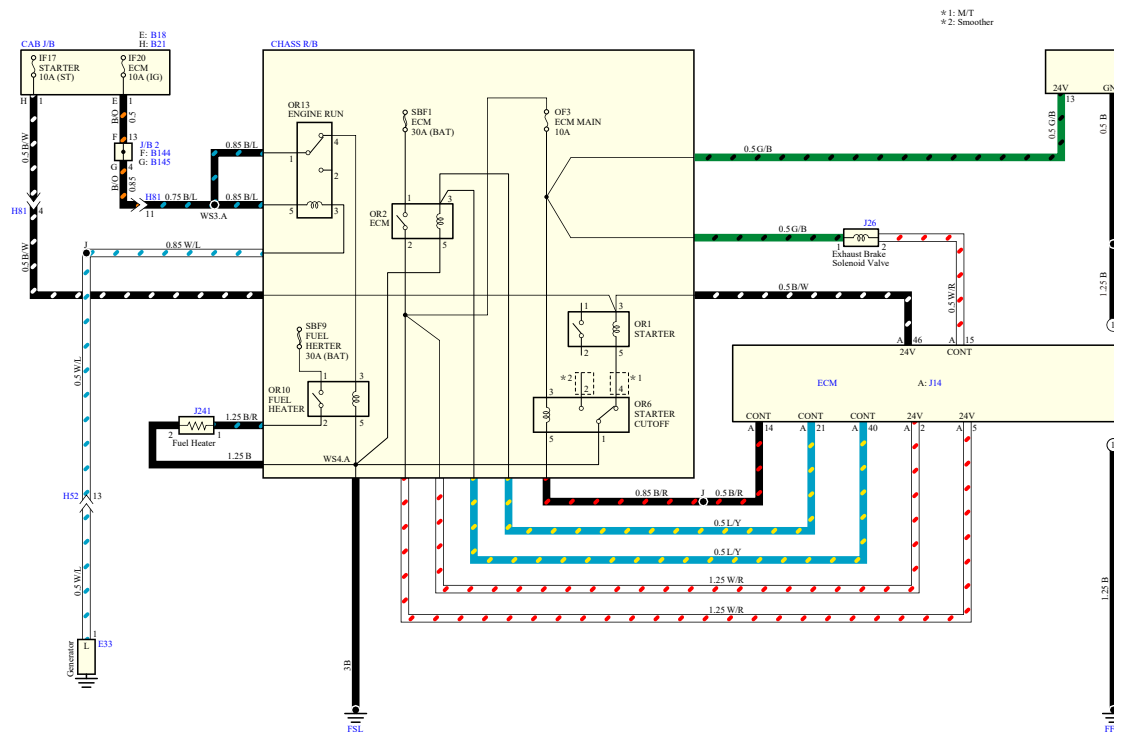
17. Engine Number



LNWC1BMF000401

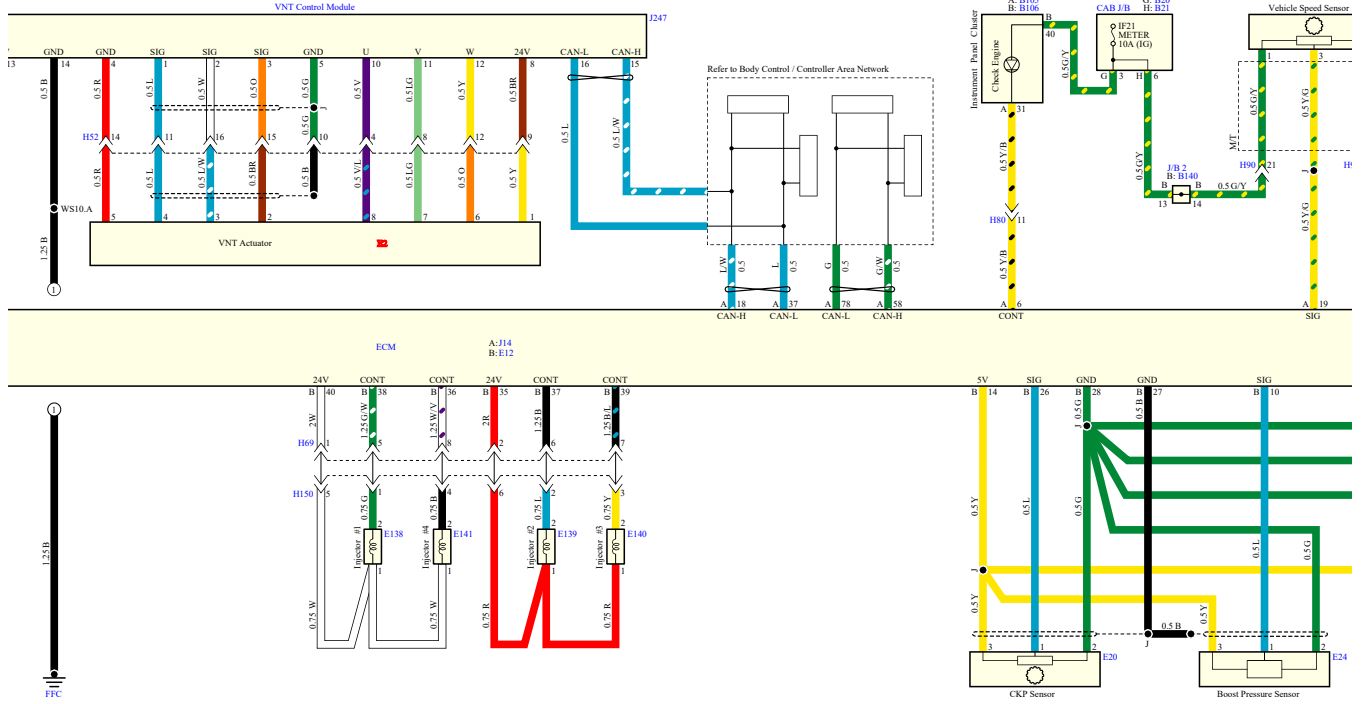
1. Engine model casted inscription
2. Engine number stamping position

Copyright ISUZU MOTORS LIMITED. All rights reserved.

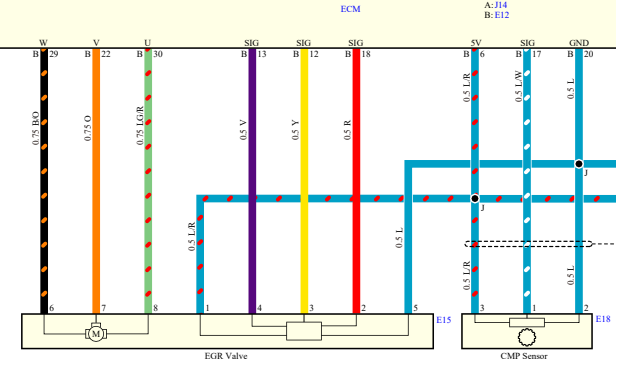
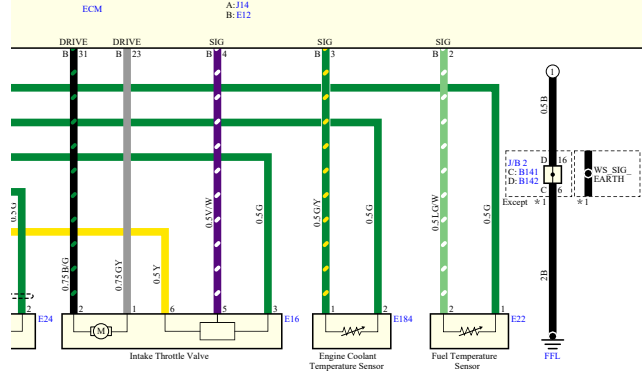
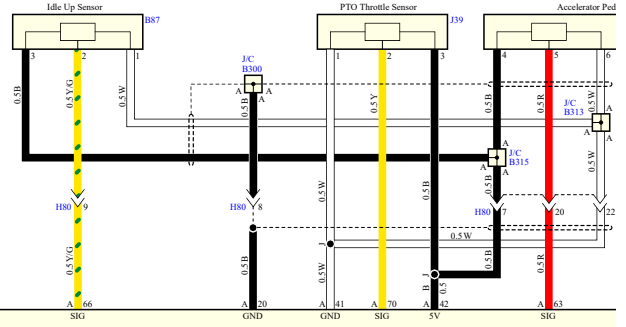
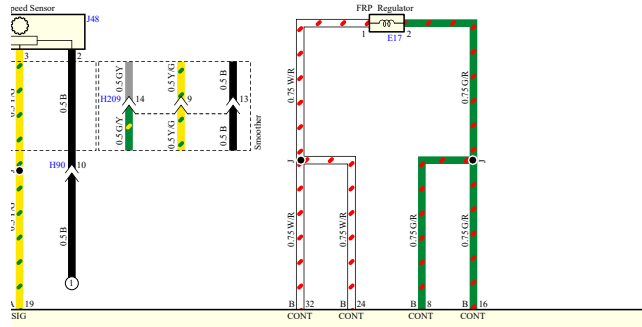


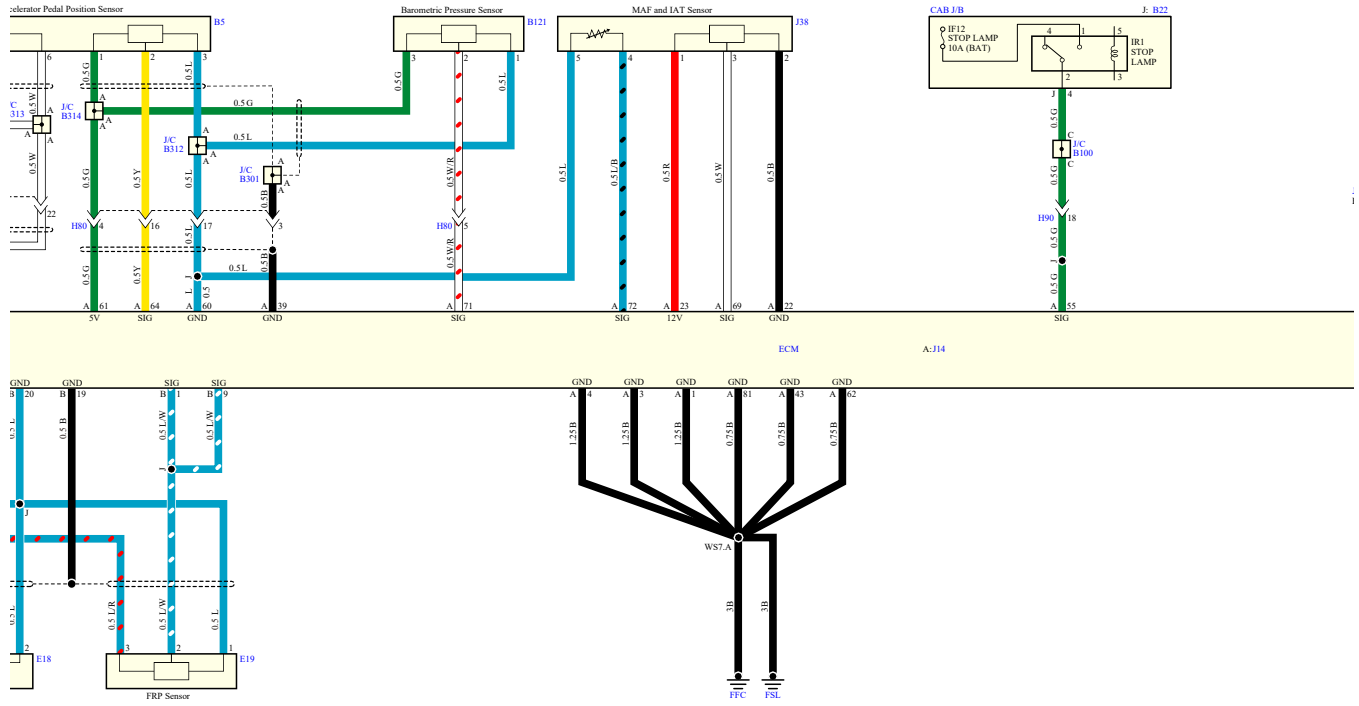
Diesel LHD Engine Control (4HK1 (Euro5))

OR1: Engine / Electrical / Starter and Charging



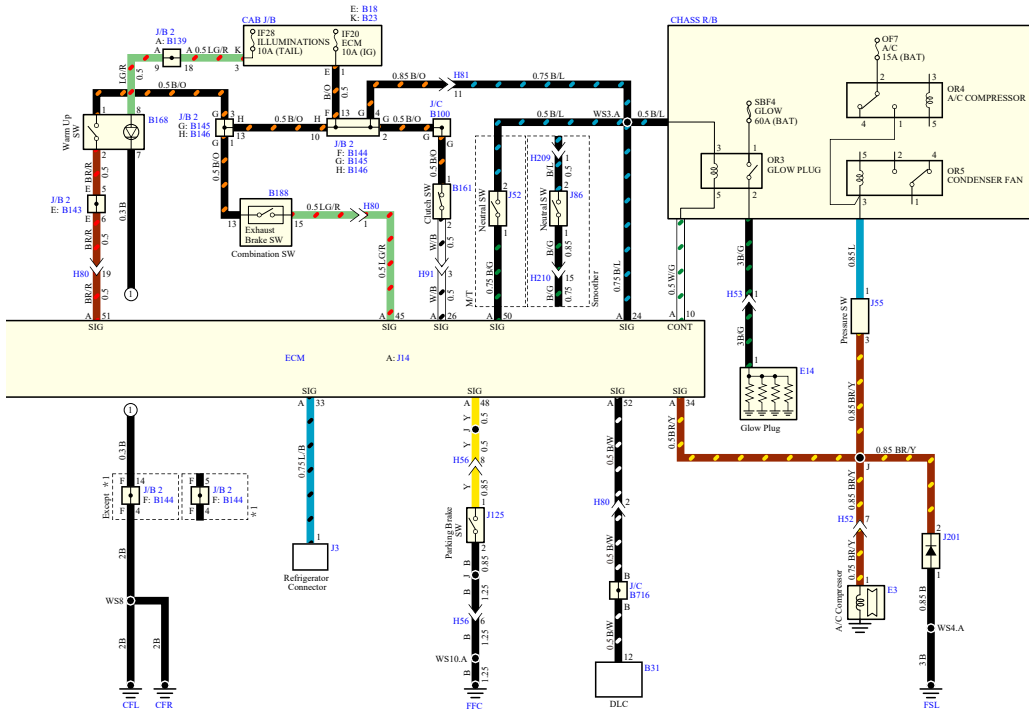
* 1: 2021MY





IR1: Body, Cab, Accessories / Lighting Systems / Stoplight

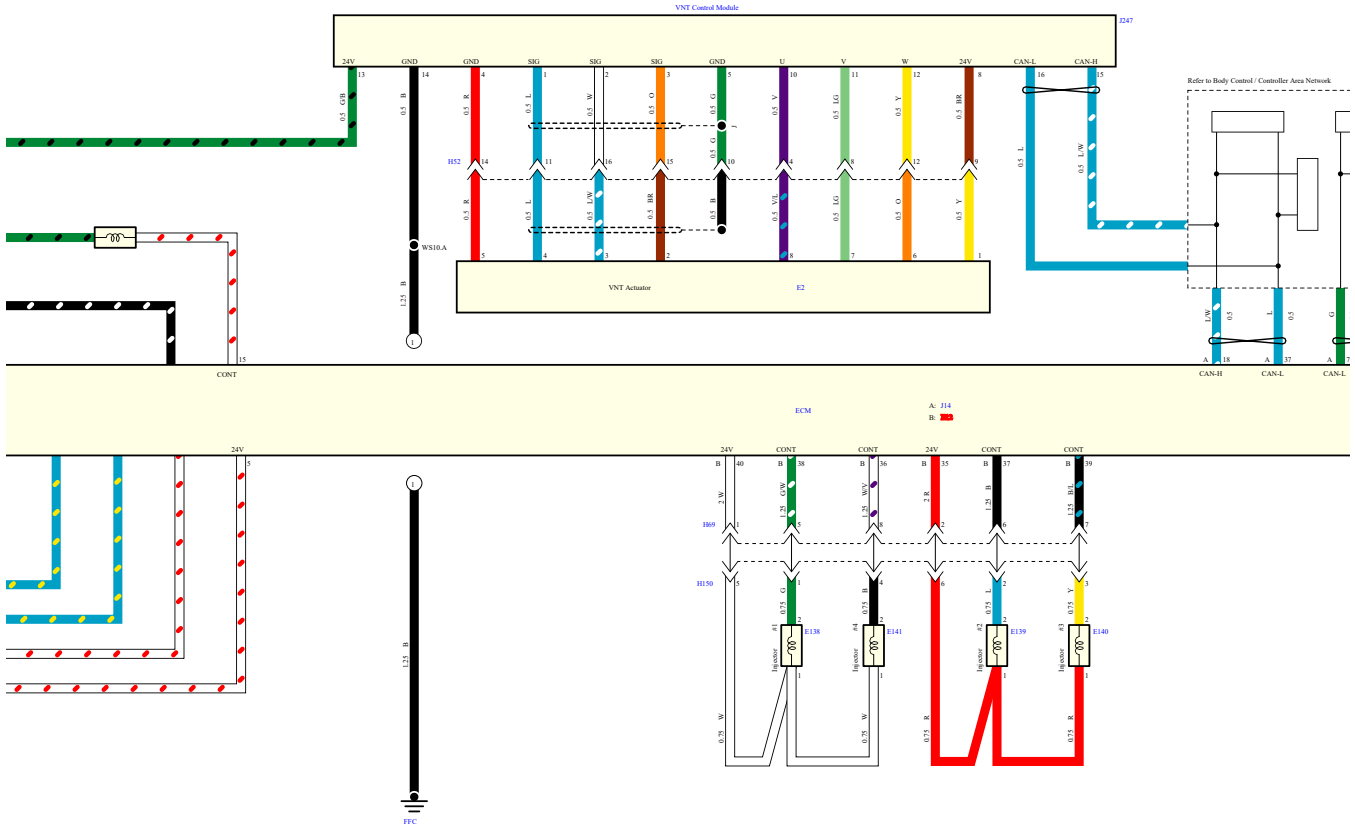
* 1: 2021MY



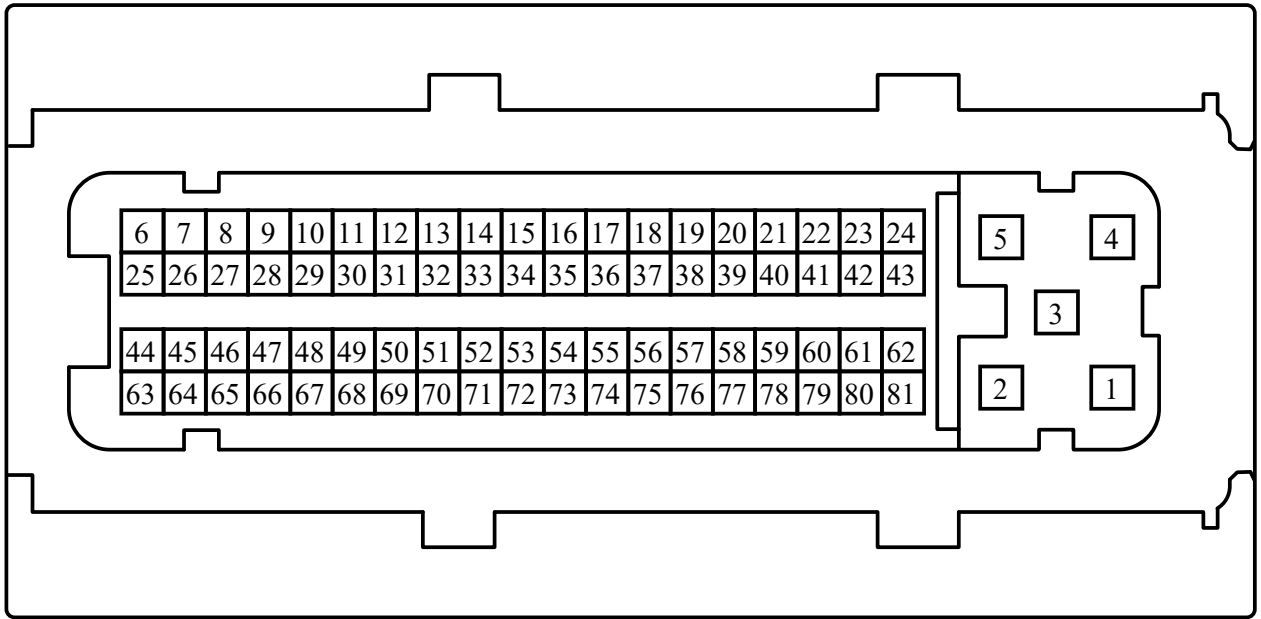
OR4: HVAC / Heater, Ventilator, Air Conditioner / Manual Air Conditioner
OR5: HVAC / Heater, Ventilator, Air Conditioner / Manual Air Conditioner

light

* 1: MIT
* 2: Smoother

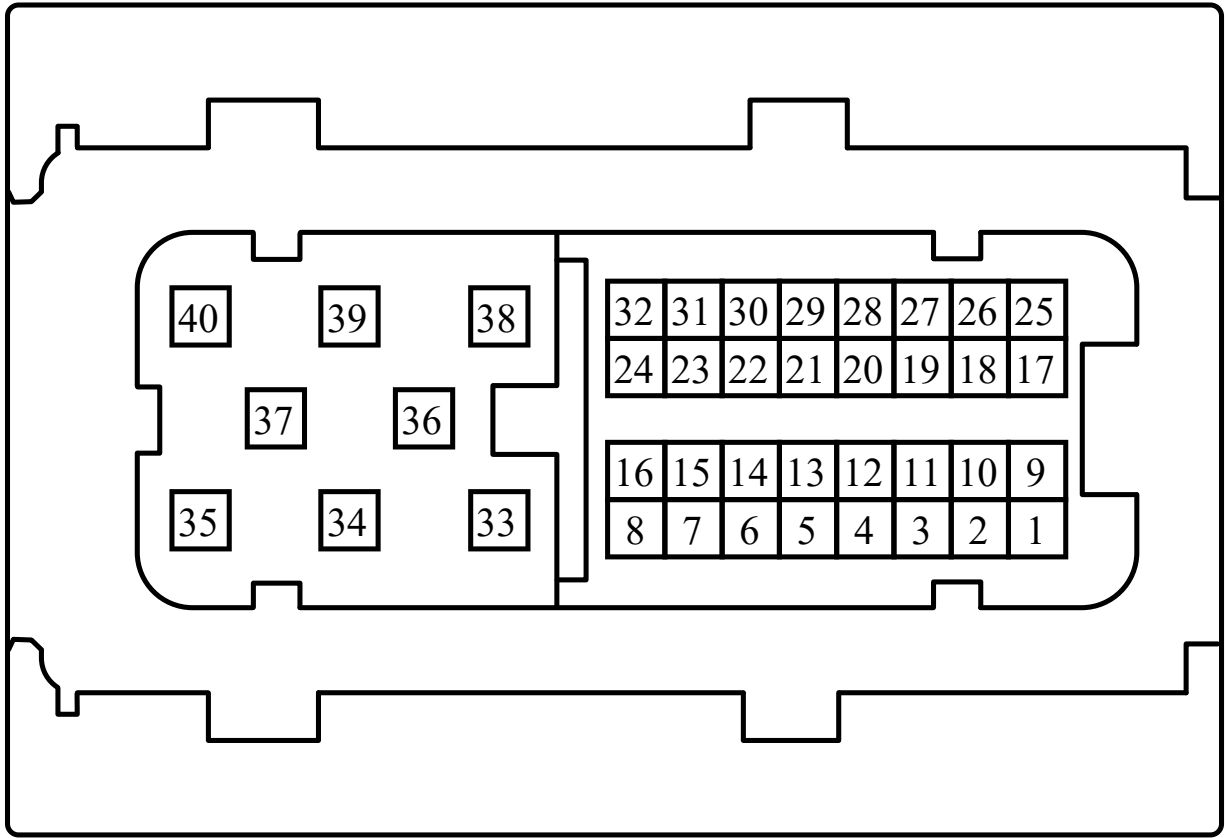


OR1: Engine / Electrical / Start and Charging



Black

J14



Black

E12